



2016
OFFSHORE RACING RULE (ORR™)

A Rating System for Offshore Cruising/Racing Boats

Published by the

Offshore Racing Association

www.offshoreraceracingrule.org

ORR OWNER'S QUICK START GUIDE

Brief

The Offshore Racing Rule (ORR) is administered by the Offshore Racing Association (ORA).

The ORR predicts relative time allowances between boats to permit boats of different sizes, types and ages to compete with the fairest ratings possible.

The ORR is an objective rule. Its ratings are based on full measurement of all the speed-related features of sailboats and on a Velocity Prediction Program (VPP) that calculates the speed potential of each boat at any combination of wind speed and course direction. The VPP is a set of algorithms developed through systematic research that use fundamental scientific methods.

ORR is intended to be a non-type forming measurement rule that fairly rates properly designed and prepared boats which are equipped for offshore racing. It must be clearly understood by all who use ORR that it is not a development rule and therefore is not intended for sailors who are looking to "beat" the rule. In order to discourage attempts to design boats "to the rule", the algorithms of the VPP are non-public. ORR is updated on a regular basis to stay ahead of design developments.

The ORR Rulebook provides details about measurement, restrictions, ratings and everything else required to race under the ORR. Owners, sailors, designers, sail-makers and builders should consult the rulebook to prepare and race their boats. This Quick Start Guide provides an overview to help owners understand what they need to do to race under ORR.

1. Scope of Rule

The ORR is intended to rate a broad diversity of sailing boats but limits are imposed either to ensure reasonably close racing or because there is insufficient science. For example, at present ORR does not rate multi-hull boats or kite sails.

2. Certificates

Valid ORR measurement certificates are required to race under ORR. ORA, the rule owner and administrator, has partnered with US Offshore to collect and process boat data and issue valid certificates. This guide, and the rulebook, will help owners through the process of measurement and certification.

3. Getting Started

The ORR requires a full description of the geometry of hull, rig, and sails; how the boat sits in the water (to get length, weight, wetted area, etc.) and the stability of the boat (resistance to heeling over.)

Owners should contact US Offshore who will provide necessary information and refer them to a trained and certified measurer for their geographic area. The owner should familiarize himself with this guide and contact the measurer to begin the measurement process.

For boats with a valid ORCi or fully measured valid AMERICAP certificate, that is sufficient information for a "Fully Measured" ORR certificate. For boats with a valid AMERICAP certificate that was issued using less than full measurements or declared input data, this information is sufficient for a "Partial Measurement" ORR certificate.

Reference: Rule 1.03

4. Hull Measurement Ashore

The owner is responsible for preparing the boat for measurement ashore. The surface of the hull will be surveyed with an instrument that provides the detailed description necessary for the calculations in the VPP.

Reference: Rule 3.02.1

If the boat has a sister ship that has been fully measured, the requirement for hull surveying may be waived by the chief measurer. Hull surveying **may also be waived if the designer of the boat supplies the "lines" in a suitable electronic format.** In the latter case, measurement checks will be conducted.

Reference: Rule 3.02.1.c

5. Measurement Afloat

The owner is responsible for preparing the boat for measurement afloat. This means following the instructions for Measurement Trim, basically a list of what shall and shall not be on board. The measurer will measure the freeboards of the boat and conduct an inclining test to establish the stability.

Reference: Rule 3.02.2

6. Rig and Sail Measurement

The owner is responsible for declaring to the measurer all spars and sails that he proposes to carry on the boat and make them available for measurement. The dimensions of the principal elements of the rig: masts, booms, poles, sprits and sail attachment points shall be measured. The dimensions of the sails will be measured to derive the sail areas used for rating calculation.

Reference: Rule 3.02.3, Part IX - RIG, Part XX - SAILS

7. Configuration Changes

If there are changes to the canoe body, the appendages, the rig, the sails and/or equipment carried on board, or **to anything that might change the boat's rating the owner is responsible to declare these changes to the rating authority.**

Reference: Rule 3.03.1

8. Stability Requirements

Participation in ORR races may be restricted on the basis of the Stability Index (Capsize Screen), derived from the boats LPS, maximum beam, displacement (weight) and sailing length.

Reference: Rule 2.02.1

For boats with moveable ballast, participation in ORR races may be restricted on the basis of the Ballast Leeward Recovery Index (BLRI). The BLRI represents the ability of a boat to recover from a knockdown with the moveable ballast located to leeward.

Reference: Rule 2.02.

9. Restrictions While Racing

The purpose is to prevent boats being raced in hull, rig and/or sail configurations that are different from how the boat was measured and rated or are out of the scope of what the ORR rule permits.

Reference: PART IV

Specific examples include:

- Movement of ballast, fixtures and accommodation
- Running the engine for propulsion
- Changes in fuel and water tankage beyond normal use
- Use of stored energy in ways other than those explicitly permitted
- Rotating masts
- Altering the location of the mast step
- Trim and use of sails not consistent with how they were measured and rated
- Changes to standing rigging is not permitted while racing

10. Measurement Types

Fully measured boats bear the notation "FULL MEASUREMENT". If the boat has a sister ship that was measured in-water, those measurements may be used, subject to a review by ORR administration. In such a case the resulting ORR certificate will be labeled "PARTIAL MEASUREMENT". There is a third measurement type, "Measurer Verified". These certificates are based on sister ship (Partial Measurement) supplemented by a recent freeboard measurement ("recent" determined by the chief measurer) and sail certificates from either the sail loft or measurer.

Reference: Rule 1.03

Please be aware that some regattas may require FULL MEASUREMENT certificates.

CONTENTS

PART I	GENERAL	
1.01	Administration	9
1.02	Rule Philosophy	9
1.03	ORR Certificates.....	9
1.04	Measurement.....	10
1.05	Rule Dates.....	10
PART II	GENERAL LIMITS & EXCLUSIONS	
2.01	Hull Type.....	12
2.02	Stability	12
2.03	Appendages.....	13
2.04	Speed Under Power	14
2.05	Propeller Shaft	14
2.06	Weights and Ballast.....	14
PART III	OWNER'S RESPONSIBILITIES	
3.01	Owner's Signature	15
3.02	Owner's Responsibilities: Measurement	15
3.03	Owner's Responsibilities after Measurement	16
PART IV	ORR RESTRICTIONS WHILE RACING	
4.01	Bloopers.....	17
4.02	Crew Weight Limit.....	17
4.03	Crew Limitations on Professionals	17
4.04	Shipping, Unshipping or Shift of Ballast, Fixtures, Accommodations	18
4.05	Movement from Stowage While Racing.....	18
4.06	Engine and Propeller	18
4.07	Drop Keels and Movable Appendages	18
4.08	Tankage.....	18
4.09	Energy Storage.....	18
PART V	PREPARATION FOR MEASUREMENT	
5.01	Hull Measurement Ashore	19
5.02	Measurement Afloat	19
5.03	Mast and Rig Weight	21

PART VI	HULL	
6.01	Principle of Hull Measurement.....	22
6.02	Hull Offset File.....	22
6.03	Remeasurement.....	22
6.04	Length Overall (LOA).....	22
6.05	Maximum Beam (MB).....	22
6.06	Definitions of Keels.....	23
6.07	Limitations on Centerboards.....	23
6.08	Measurement Trim.....	23
6.09	Sailing Trim.....	23
6.10	Sailing Length (L).....	23
6.11	Displacement (DSPM & DSPS).....	23
6.12	Wetted Surface (WSS).....	23
6.13	Maximum Draft Including Keel (DHK).....	23
6.14	Maximum Draft Adjusted for Centerboard (DHKA).....	23
PART VII	PROPELLER	
7.01	General Requirements.....	24
7.02	Propeller Types.....	24
7.03	Installation Types.....	24
PART VIII	STABILITY & PITCH GYRADIUS	
8.01	Inclining Tests.....	25
8.02	Pendulum Length (PL).....	25
8.03	Weight Distance (WD).....	26
8.04	Pendulum Deflections (PD).....	26
8.05	Weights (W).....	26
8.06	Inclining Slope (SLOPE).....	26
8.07	Righting Moment (RM).....	26
8.08	Righting Moment Corrected (RMC).....	26
8.09	Righting Moment per Degree in Sailing Trim at 2 Degrees.....	26
8.10	Righting Moments by Heel Angle.....	27
8.11	Crew Weight (CW), Base Crew Weight (BCW).....	27
8.12	Declared Crew Weight (DCW).....	27
8.13	Elements of Pitch Gyradius.....	27
8.14	Assessment of Pitch Gyradius.....	28
PART IX	RIG	
9.01	Rig Restrictions.....	29
9.02	Sail and Rig Measurement.....	30
9.03	Painted Measurement Bands.....	30
9.04	Base of Foretriangle (J).....	30
9.05	Spinnaker Pole and Spinnaker Tack Point (SPL & TPS).....	30
9.06	Mast Measurements.....	31
9.07	Mainsail Hoist (P).....	31
9.08	Height of Deck.....	32
9.09	Boom above Sheerline (BAS).....	32
9.10	Foot of Mainsail (E & BAL).....	32
9.11	Boom Diameter (BD).....	32
9.12	Rigging Plan.....	33
9.13	Chainplate Width (CPW).....	33

9.14	Rig Weight and Center of Gravity (MWT, MCG & WB)	33
9.15	Height of Mizzen Mast (IY)	34
9.16	Mizzen Mast Diameters and Taper Length	34
9.17	Mizzen Hoist (PY)	34
9.18	Boom above Sheerline (BASY)	34
9.19	Foot of Mizzen (EY, BALY)	34
9.20	Mizzen Boom Diameter (BDY)	34
9.21	Distance between Masts (EB)	34

PART X SAILS

10.01	Construction	35
10.02	Sail Inventory	35
10.03	Trimming of Sails	35
10.04	Double Luffed Sails	35
10.05	Restrictions on Setting and Sheeting of Jibs	36
10.06	Restrictions on Setting and Sheeting of Spinnakers	36
10.07	Restrictions on Setting and Sheeting of Mainsails	37
10.08	Restrictions on Setting and Sheeting of Mizzen Staysails	37
10.09	Tension and Wrinkles in Sails	38
10.10	Measurement Points at Corners of Sails	38
10.11	Definition of Headsails	38
10.12	Longest Perpendicular of Jibs (LPG)	39
10.13	Jib Girths and Jib Roach (JR)	39
10.14	Forestay Perpendicular (FSP)	39
10.15	Longest Luff of Jibs (JL)	39
10.16	Jib Limitations	40
10.17	Symmetric Spinnakers	40
10.18	Asymmetric Spinnakers	40
10.19	Spinnaker Headboard (HBS)	40
10.20	Spinnaker Maximum Width (SMW)	40
10.20.1	Spinnaker Luff and Leech (SL & ASL)	40
10.21	Spinnaker Foot Length (SF & ASF)	41
10.22	Asymmetric Spinnaker Mid Girth Length (AMG)	41
10.23	Measurements for Spinnaker Area	41
10.24	Spinnaker Limitations	41
10.25	Mainsail Head	42
10.26	Mainsail Clew	42
10.27	Mainsail Cross Widths	42
10.28	Mainsail Mid-Point of Leech	42
10.29	Mainsail Headboard (HB)	42
10.30	Top Batten Upper Limit	43
10.31	Mainsail Girths (MGT, MGU, MGM, & MGL)	43
10.32	Mainsail Weight (MSW)	44
10.33	Batten Adjustment	44
10.34	Mizzen Headboard (HBY)	44
10.35	Mizzen Top Batten upper limit	44
10.36	Mizzen Girths (MGTY, MGUY, MGYM & MGLY)	44
10.37	Mizzen Batten Adjustment	44
10.38	Mizzen Staysail Foot (YSF)	44
10.39	Mizzen Staysail Depth (YSD)	44
10.39.1	Mizzen Staysail Mid Girth (YSMG)	44
10.40	Sail Plan Rated Areas	45
10.41	Foretriangle Height (IM)	45
10.42	Longest Perpendicular of Jibs, Rated (LP)	45

10.43	Rated Limits	46
10.44	Aerodynamic Drag of Masts	46
10.45	Aerodynamic Drag of Rigging and Spreaders	46
10.46	Effective Height of Mainmast (EHM)	46
10.47	Diameter of Mainmast (EDM)	46
10.48	Effective Height of Mizzenmast (EHMY)	46
10.49	Effective Diameter of Mizzenmast (EDMY)	46
PART XI PROCEDURES FOR ORR ONE-DESIGN STATUS		
11.01	Action by a Class Association	47
INDEX	49
APPENDIX 1	ORR RATING CERTIFICATE	53
APPENDIX 2	MEASUREMENT CONDITION CHECK LIST & INVENTORY.....	54
APPENDIX 3	VARIOUS SHEER POINT DIAGRAMS.....	58
APPENDIX 4	RULES AND PROCEDURES FOR RACE ADMINISTRATION	59
APPENDIX 5	ADMINISTRATIVE RATING PROTESTS.....	61
APPENDIX 6	DYNAMIC & AGE ALLOWANCES	63
APPENDIX 7	WATER BALLAST & SPECIAL APPENDAGES.....	64

PART I – GENERAL

1.01 Administration.

The Offshore Racing Association (herein denoted as ORA) is the authority for administration of the Offshore Racing Rule (ORR). The ORA is responsible for the development and promotion and implementation of the rule. (ORA partners with NATIONAL AUTHORITY for boat data collection and certificate processing.)

1.02 Rule Philosophy.

The ORR predicts relative time allowances between boats to permit boats of different sizes, types and ages to compete with the fairest ratings possible.

The ORR is an objective rule. Its ratings are based on full measurement of all the speed-related features of sailboats and on a Velocity Prediction Program (VPP) that calculates the speed potential of each boat at any combination of wind speed and course direction. The VPP is a set of algorithms developed through systematic research that use fundamental scientific methods.

ORR is intended to be a non-type forming measurement rule that fairly rates properly designed and prepared boats which are equipped for offshore racing. It must be clearly understood by all who use ORR that it is not a **development rule and therefore is not intended for sailors who are looking to “beat” the rule. In order to discourage attempts to design boats “to the rule”, the algorithms of the VPP are non-public.** ORR will be updated on a regular basis to stay ahead of design developments.

1.03 ORR Certificates

Valid certificates are required for racing within ORR. The ORR certificate will provide the most basic information about a boat, its measurements, and its ratings. Certificates are issued by NATIONAL AUTHORITY.

If a boat has a valid IMS or fully measured valid AMERICAP certificate, that is sufficient measurement information for an ORR certificate. Expired IMS or AMERICAP certificates may be acceptable pending approval of the Chief Measurer.

Trial certificates are available. The purpose of experimental certificates is to assist owners in making informed decisions on how to configure their boats. The purpose is not to reverse-engineer the methods in the VPP. Therefore, the number of certificates that can be acquired is limited, at the discretion of the ORR Chief Measurer.

There are three levels of measurement for certificates:

1.03.1 Measurement Level. There are three levels of measurement.

1.03.1.1 Full Measurement.

ORR Certificates issued on the basis of full ORR measurement shall bear the notation “FULL” on the certificate.

1.03.1.2 Partial or Sistership Measurement.

Except as covered by 103.1.3, any certificate which is based on less than full ORR measurement **shall bear the notation “SISTER/PARTIAL”** on the certificate.

1.03.1.3 Measurer Verified.

Certificates denoted as “MEASURER VERIFIED” **increase** the rating precision of Sister/Partial Measurement boats in two ways by requiring:

- Recent freeboard measurements that **establish the boat’s actual displacement (where “recent” is determined by the ORR Chief Measurer.)**
- Sail measurement certificates from sail lofts or ORR measurers.

1.03.2 Certificate Types. There are three categories of ORR certificates.

1.03.2.1 Standard Certificate.

1.03.2.2 Inshore Certificate.

Is available when sails, sprit/pole length and/or crew weight are different from those on the standard certificate. Usually employed to avoid multiple certificate changes when buoy and distance events are sailed back to back.

1.03.2.3 Double Handed Certificate (Called "Shorthanded" on US Sailing produced Certificates)

Is available when sails, sprit/pole length and/or crew weight are different from those on the standard certificate. The Double Handed/Shorthanded certificate shall be valid only for racing in classes, or divisions of classes, for no more than 2 crew.

1.04 Measurement

Boats shall be measured by official measurers certified by the National Authority. Hulls and appendages are measured by either of two methods, both of which are accepted for "FULL MEASUREMENT" certificates:

- Survey using an HMI, Hull Measuring Instrument, or by using a laser scanning device approved by ORA and administered by NATIONAL AUTHORITY.
- Designer supplied lines, in ORA approved format, which will be checked for validity by an ORR authorized measurer following procedures specified by ORA and the National Authority.

Rig dimensions shall be measured by an official measurer.

Sails can be measured by a National Authority trained and certified employee of a sail loft. Standard certificates will be provided to the National Authority for all sails. These are subject to validation by an official measurer.

Boats will be measured in-water, subject to the conditions and requirements specified by ORR Measurement Trim. Accommodation may be made for boats that are set-up in trim conditions specified by other rules. Measurements will include port and starboard freeboards at fore and aft locations and an inclining measurement to determine the vertical center of gravity of the boat.

1.05 Rule Dates.

All rule dates shall be recorded and maintained on the Rating Certificate.

1.05.1 Age Date. This date shall be the month and year of launching which shall be defined as date of first inclining unless the owner provides documentary evidence that the boat was launched at an earlier date, completed and equipped for sailing.

1.05.2 Series Date. The National Authority may authorize a Series Date, being earlier than the age date, for an unmodified series-produced boat if it is satisfied that the boats of the series are built to close tolerances in moulds or jigs. The Series Date shall be the Age Date of the earliest boat of the series. Series Dates shall be based on boats of a series built in the production moulds or jigs and not on prototypes which were not built in the same moulds or jigs. The Series Date may be changed as a result of a boat being modified from the original model, or conversely built on an older design.

1.05.3 Keel Date. This date shall be the month and year of the manufacture of the keel. Generally this will be the same as the Age Date of Series Date except when the keel is replaced or modified. The ORR Chief Measurer has the final authority to rule on whether any such modification is sufficient to change the Keel Date.

1.05.4 Hull Modifications. Hull modifications shall require plan review by the chief measurer and will require hull re-measurement. Modifications except as permitted below shall result in the assignment of a new Age Date which shall be as defined in 1 above, following the completion of the modifications. The following are permitted without a change of Age Date:

- Changes that do not affect the canoe body.
- New appendages or fairing of existing ones.
- Removal of bumps outside the canoe body outer skin.
- Filling of hollows (e.g., in the IOR after girth area).
- Forward or aft extensions or reductions of the fair surface of the hull, limited to modifications only within 0.10*LOA of the forward and/or aft end(s) of LOA.

The total of modifications to the canoe body surface shall not exceed 20% of the total surface prior to modification as determined by the Measurer. After review by the Revalidation Authority, the Measurer shall verify on the boat the boundaries of the proposed changes before and after the work.

1.05.5 Measurement Inventory (Flotation) Date. Measurement Inventory Date shall be the date of the most recent occasion on which the boat was measured afloat.

1.05.6 Measured Date. Measured Date shall be the date that the most recent measurement was completed.

1.05.7 Issued Date. Issued Date shall be the date that the current certificate was issued from the Rating Office.

1.05.8 Dimensional Units. Dimensional equation units are US Standard

PART II – GENERAL LIMITS AND EXCLUSIONS

2.01 Hull Type

This rule is intended to be used for the rating of monohull boats only. Hulls in which the canoe body depth in any section decreases towards the center line shall not be rated under this rule.

2.02 Stability

2.02.1 Stability Index (Capsize Screen): A boat's eligibility for entry in ORR races that use World Sailing Offshore Special Regulations Categories 0, 1 or 2 or US SER Stability Index (Capsize Screen) may be limited on the basis of her Stability Index (Capsize Screen), at the option of the race organizer.

$$\text{Stability Index (Capsize Screen)} = \text{LPS} + \text{Capsize Increment (CI)} + \text{Size Increment (SI)}$$

Where, in imperial or US Standard measurement units:

LPS = Limit of Positive Stability, the heel angle at which the righting arm is zero.

$$\text{CI} = 18.75 * (2.0 - \text{MB} / (\text{DSPM} / 64)^{.3333})$$

$$\text{SI} = (((12.0 * (\text{DSPM} / 64)^{.3333} + \text{LSM0}) / 3.0) - 30.0) / 3.0$$

CI shall not be taken as greater than 5.0

SI shall not be taken as greater than 10.0.

NOTE: Stability Index (Capsize Screen) for water ballast boats is calculated with ballast tankage full on one side, empty on the other and for canting keel boats with the keel fully canted.

The following table provides the recommended minimum stability index (capsize screen) for various categories of races:

<u>Offshore Race Category</u> <u>(US SER)</u>	<u>Recommended Minimum Stability</u> <u>Index (Capsize Screen)</u>
0	120
1 (Ocean)	115
2 (Ocean)	110
3 (Coastal)	103

2.02.2 Ballast-Leeward Recovery Index (BLRI). For a boat incorporating water ballast or a canting keel, eligibility for entry in ORR races of World Sailing Offshore Special Regulations Categories 0, 1 or 2 or National Authority Safety Equipment Requirements (USSER) may be limited by the race organizer on the basis of Ballast-Leeward Recovery Index (BLRI) as recommended below.

- a) The BLR Index represents such a boat's relative ability to recover from a knock down with sails aback, i.e., knocked down with all water ballast or canting keel to leeward. BLR Index is calculated as follows:

$$\text{BLR Index} = (\text{RA90} * \text{DSPS} / (2 * \text{SA} * \text{CE})) * 0.333 + 0.5$$

Where, in metric units:

RA90 is the righting arm, 90 degrees heel, ORR Sailing Trim.

DSPS is the ORR Displacement in Sailing Trim.

SA is the geometric area of the ORR rated sailplan, i.e., mainsail and foretriangle.

CE is the Center of Effort of the ORR rated sailplan, i.e., mainsail and foretriangle.

(all taken with full leeward cant or leeward ballast tankage full, windward empty)

- b) The Limits for minimum BLR Index are specified according to World Sailing Offshore Special Regulations Race Category (0, 1 & 2) or USSER Ocean and vary with ORR sailing length in Sailing Trim. They are therefore displayed on the Certificate as SRCat0 Minimum and SRCat1&2 Minimum. The limits are calculated as follows.

SR Category 0: Minimum = $0.90 + 0.007*(LSM1 - 5)$

SR Categories 1 & 2: Minimum = $0.75 + 0.007*(LSM1 - 5)$

2.03 Appendages

Boats may race under ORR subject to the following limitations on appendages:

- 2.03.1** Keel foils must be solid in profile and have an attachment to the hull at the boat centerline.
- 2.03.2** The keel may have an end plate, winglets, a midline centerboard and/or a trim tab.
- 2.03.3** The keel may be canting (keel rotating around root hinged to hull at boat centerline) and the boat will then be subject to restrictions pertaining to boats with moveable ballast canting keels.
- 2.03.4** Keels may have trim tabs. The axis of rotation of the trim tab shall be in the center plane of the keel.
- 2.03.5** The boat may have a skeg, one or two normal rigid-surface midline rudders or off-midline, coupled, non-retractable twin rudders.
- 2.03.6** Off centerline dagger boards are permitted. All dagger boards shall have a single straight line axis from the top of the board root to the end of the board tip. The axis is defined as the position of the leading edge of the foil from root to tip as viewed from in front of the foil and/or the trailing edge as viewed from behind.
- 2.03.7** The boat may have a bona fide propeller installation and the usual instrument transducers.
- 2.03.8** Centerboard and dagger board movement is restricted to motion up or down either in a straight line or around a single fixed pivot. Excluded are:
- 2.03.8.1** Centerboards arranged for fore and aft motion except the motion resulting from conventional pivoting around a pin located in the conventional position.
- 2.03.8.2** Centerboard openings or slots arranged to cause or permit angular motion of the centerboard in a sense to alter the angle of attack while sailing and any other schemes for achieving the same result.
- 2.03.8.3** Conventional flexible centerboard slot fairing closures are permitted.
- 2.03.9** Conventional flexible fairings over the rudderpost are permitted.

2.04 Speed Under Power

Boats shall be capable of speed under power with racing propeller in smooth water and without assistance of wind of, in knots, not less than $1.811 * L^{0.5}$ where L is the ORR L (see 6.10) in meters ($L^{0.5}$ where L is in feet) to qualify for any Propeller Installation Projected Area (**PIPA**) greater than zero.

2.05 Propeller Shaft

The propeller shaft exposed to water flow is circular in cross section.

2.06 Weights and Ballast

2.06.1 Except for the stability and trim ballast of the hull, all weights measured under this rule shall be the true weight associated with proper structural engineering and no weights shall be artificially increased through ballasting.

2.06.2 No boat shall be rated under ORR if any material having a density greater than that of lead (specific gravity = 11.35) is used as ballast in any form or location on or within the boat.

PART III – OWNERS RESPONSIBILITIES

3.01 Owner's Signature.

Before any certificate under this rule is valid it must be signed by the owner of the boat. The name of the individual who signs the Certificate shall also be printed on the Certificate. By this signature the owner signifies that he or she understands the **owner's responsibilities under all parts of the ORR Rule.**

Responsibility for Compliance - The owner shall have the primary responsibility for ensuring compliance with the ORR rules.

Owner's responsibilities are divided into three categories.

- Owner's responsibilities prior to and during measurement.
- Owner's responsibilities after measurement.
- Owner's responsibilities while racing.

3.02 Owner's Responsibilities: Measurement.

The owner is responsible for arranging measurement with NATIONAL AUTHORITY.

3.02.1 Measurement Ashore

- a) He shall present the boat for measurement ashore in an accessible location, clear of obstructions, properly chocked and leveled (see 5.01 for details).
- b) If the boat is of a class for which sister ship hull measurements are available, hull measurement may not be required. The owner shall inform the measurer of any modifications that have been made so that the measurer may determine whether, and to what extent, the hull standard applies to the boat. The owner shall make the boat available ashore for the checking of any measurements that the measurer may require.
- c) If the boat is of a class for which designer lines hull measurements have been validated, full hull measurement may not be required. The owner shall inform the measurer of any modifications that have been made so that the measurer may determine whether, and to what extent, the designer lines hull standard applies to the boat. Certain minimum measurement verification is required. This includes measurement of the as-built freeboard to centerline of the canoe body plus any additional measurements as determined by National Authority. The owner shall make the boat available ashore for the checking of these measurements or any others that the measurer may require.

3.02.2 Measurement Afloat

- a) He shall on another occasion make the boat available at a suitable location agreed with the measurer so that flotation measurements may be taken.
- b) He is responsible for preparing the boat in measurement trim as specified in 502.2. He shall declare to the measurer the weight and location of all ballast, except that contained in the external keel or centerboard, and all other items mentioned in 402.2(h). He shall, together with the measurer, complete and initial the Measurement Condition Check List & Inventory (See Appendix 2).

- c) If the boat is fitted with a drop keel and/or a movable appendage which is to be locked for measurement and racing under 6.06.3, the owner shall be responsible for ensuring that a positive locking and locating device is fitted at the time of measurement. If the device is to be freed for cruising or at other times when the boat is not racing the device must be of a form that will positively locate and retain the keel in one predetermined position.

3.02.3 Sail Areas The owner is responsible for declaring to the measurer all spars and sails that he proposes to carry on the boat and the location in which he proposes to set them, so that they may be properly measured

3.02.4 Hull Construction and Spar Material The owner is responsible for declaring to the measurer the type of hull construction and material of which the hull and spars are built.

3.03 Owner's Responsibilities after Measurement.

3.03.1 It is the owner's responsibility to declare to the rating authority any changes made to the boat, its rig, or its equipment which could change any of its measurements under the rule. All changes of tankage, fixed or portable, must be reported and appear on the measurement inventory.

Such changes could be:

- a) Changes of ballast in amount or location or configuration.
- b) Change of tankage, fixed or portable, in size or location.
- c) Any changes in the engine and/or propeller installation.
- d) Addition, removal or change of location of gear or equipment, or structural alteration to the hull that affects the trim or flotation of the boat.
- e) Movement of any measurement bands used in sail area measurement, or any changes in spars, spar location or headstay position.
- f) The owner shall be responsible for ensuring that all sails other than storm sails have been measured by an official measurer (Full Measurement and Measurer Verified) and do not contravene the values stated or permitted for them on the Rating Certificate.
- g) Changes to the shape of the boat's hull and/or appendages. Note that changes to the hull may cause the boat to lose the benefits of age under the rules (See Appendix 6).
- h) Changes to spars or standing rigging configuration, including elements of rigging identified as adjustable while racing.
- i) Changes to the Elements of Pitch Gyradius (see 8.13) including hull, deck and appendage construction, spars, accommodation and rig configuration, etc.

3.03.2 One-Design Rating.

Where a boat has a One-Design Rating (see Part X) it is the owner's responsibility to ensure that the boat is at all times maintained within the class rules. The class rules shall always be aboard the boat. Should any changes be made to the boat that are not permitted within the class rules the owner shall inform the Rating Authority and the ORR Certificate becomes invalid immediately.

PART IV – ORR RESTRICTIONS WHILE RACING

The owner is responsible for ensuring that the ORR Rule Book is aboard the boat and that all members of the crew fully understand and comply with the limitations which apply while racing.

4.01 Bloopers.

The intent of this section is to allow bloopers on boat's where they were once popular and in the way they were flown. If bloopers generate a pronounced speed benefit, that benefit will be properly assessed and rated in future versions of ORR. All of the following shall apply to boats rating with bloopers:

- a) Bloopers are only permitted on boats with an age or series date earlier than Jan 1, 1985.
- b) Bloopers are only allowed on boats rated with a spinnaker pole, and not with a bowsprit.
- c) Bloopers must measure in as a headsail, since two spinnakers cannot be flown at the same time other than when changing. The LP of the blooper shall not exceed 150% of rated J. The half width must be no greater than 50% of the foot. The luff of the blooper shall not exceed the luff of the largest headsail for which the boat is rated. The tack pennant for a blooper shall not exceed .076 meters (2.5 feet) and must be tacked aft of the forward end of J.
- d) The blooper shall be counted as headsail for purposes of the limit on number of headsails carried while racing.

4.02 Crew Weight Limit.

The owner shall be responsible for insuring that the weight of the crew, weighed in light street clothes, on board the boat for any race does not exceed the Maximum Crew Weight printed on the Rating Certificate and any excess shall automatically suspend validity of the Certificate.

4.03 Crew Limitations on Professionals. (Optional)

For those race organizations that wish to offer events with limitations on the number of professionals on board while racing, the following option is offered. This paragraph is not in force unless it is specifically included in the Notice of Race by the race organizer.

4.03.1 Competitor Groups. Two competitor Groups shall be defined as set forth in the World Sailing (International Sailing Federation) Sailor Classification Code; i.e. Group 1 (amateur), Group 3 (professional). For more information go to: <http://members.sailing.org/classification>.

4.03.2 Boat Owners. For the purpose of the regulations below, an Owner is defined as one who, to the satisfaction of the Race Committee, demonstrates at least a one-third partner interest in the ownership of the boat on which the person competes.

4.03.3 Limitations. Group 3 competitors shall be limited as follows:

- a) Including those of Owner status, the number of Group 3 competitors aboard a boat while racing shall not exceed the limits as given in the table below.

<u>LOA (feet)</u>	<u>LOA (meters)</u>	<u>Limit</u>	<u>LOA (feet)</u>	<u>LOA (meters)</u>	<u>Limit</u>
26.0 - 34.99	7.925 - 10.665	2	56.0 - 62.99	17.069 - 19.200	6
35.0 - 41.99	10.668 - 12.799	3	63.0 - 69.99	19.203 - 21.333	7
42.0 - 48.99	12.802 - 14.932	4	70.0 - 76.99	21.336 - 23.467	8
49.0 - 55.99	14.935 - 17.066	5	77.0 - 100.00	23.470 - 30.480	9

- b) Except for Owners and except for emergencies involving the safety of the boat or crew, Group 3 competitors are prohibited from steering while racing.

4.04 Shipping, Unshipping or Shifting of Ballast, Fixtures and Accommodation.

Note: See also ORR Appendix 7 exclusion for boats rated with water ballast or canting keel.

The removal for racing of fixtures and items of accommodation which were aboard for in-water measurement or identified as Elements of Pitch Gyradius is not permitted.

Attention is called to Section 51 of the RRS - Moving Ballast: "All movable ballast shall be properly stowed, and water, dead weight or ballast shall not be moved for the purpose of changing trim or stability. Floorboards, bulkheads, doors, stairs and water tanks shall be left in place and all cabin fixtures kept on board".

Note that unwarranted quantities of stores, including fuel and water, shall be considered as ballast under this rule.

4.05 Movement from Stowage While Racing.

Portable equipment, gear, sails and stores may only be moved from stowage for use in their primary purpose. Stowage in this respect is the position for any item of equipment or stores, to be maintained for the duration of a race or series, when such item is not in use for its primary purpose. Note: Moving sails or equipment with the intention of improving performance is prohibited and shall be considered a contravention of RRS 51.

4.06 Engine and Propeller.

The owner is responsible for ensuring that when the engine is run for any purpose the propeller does not rotate.

4.07 Drop Keels and Movable Appendages.

The owner is responsible for ensuring that any locating device for a locked drop keel or movable appendage, called for by the rule, is at all times in place while racing. If for any reason such a device is removed during a race the owner shall declare the fact to the race committee and withdraw on completion of the race.

4.08 Tankage.

Tanks which are always to be empty when racing may be declared as such and shall be empty at the time of measurement providing each declaration is entered on the rating certificate and the owner accepts responsibility that these limitations will be observed. Voids in the keel or any other appendage shall be declared at the time of measurement and shall be treated as tankage.

Tankage, fixed or portable, located within fifteen percent LOA of the stern shall be declared "empty when racing" for boats not rated with moveable ballast.

4.09 Energy Storage.

Other than bilge pumps, no device, unless permitted under RRS 52 Manual Power, may be used while racing which derives assistance from energy stored to do work. However, refer to the ORR Appendix 7 exclusion to this for boats rated with water ballast or canting keel.

This rule may be modified by race organizers through their Notice of Race to permit the use of stored energy for winches, furlers and autopilots.

PART V – PREPARATION FOR MEASUREMENT

FREEBOARD MEASUREMENT PROCEDURE

To secure an accurate and fair measurement, it is necessary to have close co-operation between owner and Measurer. It is desirable, therefore, that the owner be reasonably familiar with the requirements below.

5.01 Hull Measurement Ashore.

The hull and appendage measurements (Part VI) and propeller installation measurements (Part VII) shall be taken ashore with the boat exactly level athwartships and approximately in the same longitudinal trim which it might reasonably be expected to assume when afloat in measurement trim.

5.01.1 The boat shall be presented for measurement ashore in an accessible location, clear of obstructions (see 5.01.2 below), properly and firmly chocked and leveled as above. The weight of the boat shall rest on the keel except as is necessary to chock the hull as above. A centerboard locked to prevent movement for racing shall be in its locked position and measured as a keel. Rigging shall be slack. All appendages shall be fitted and any fairings, as permitted under 2.03.7.3, shall be in place.

5.01.2 The hull will be surveyed with a Hull Measuring Instrument (HMI) or approved laser scanner (LS). In either case the machine will be set abeam the hull and relocated fore and aft along the length of the hull, both port and starboard. Measurement points will be recorded from the deepest part of the hull or appendage up to the sheer line.

5.01.3 Clearance for the operation of the HMI or Laser System must be provided around the hull, in the construction of the cradle and the means of supporting the keel. Nominally, clear areas (including the ground surface) are required 1.5m (4 ft.) forward and abaft the hull and 2.0m (6 ft.) on either side of the hull. With some HMIs the minima are 60cm (2 ft.) forward and abaft the hull and 1m (3 ft.) on either side. The Measurer should be consulted for details. Cradle support struts and athwartships cradle bulkheads can usually be accommodated, but longitudinal cradle bulkheads and keel support channels prohibit reaching required measurement points.

5.01.4 Sheer Point. At any measured station, the sheer point is the highest point, in the vicinity of the hull/deck join, where a tangent at 45 degrees can be rested on the hull. See Appendix 3.

5.01.5 Sheer Line. The sheer line is defined as the line passing through the sheer points defined above.

5.02 Measurement Afloat.

Inclined stability and freeboards shall be measured on one occasion with the boat afloat in measurement trim (see 5.02.2 below). Normally, the boat's **spinnaker pole(s) will be required for** suspending the inclining weights (see Part VIII) and a dinghy or raft must be available for use by the Measurer. The owner or the owner's Authorized Representative (see Measurement Inventory Form, Appendix 2) must be present for flotation measurement.

5.02.1 Specific Gravity (SG): The specific gravity of the water shall be measured at this time and recorded as SG. The water shall be sampled from a level 0.3m (one foot) below the surface.

5.02.2 Measurement Trim: The owner or his representative will put the boat in measurement trim by following the procedure defined below. The Measurement Inventory set out in Appendix 2 shall be used to ensure and record compliance with the requirements. No substitutions are permitted during measurement afloat.

5.02.3 Boats shall be dry in light ship condition without crew and shall include the following:

- a) Internal ballast, if any, which shall be fixed below the cabin sole, or as low as possible at any station and fixed to the hull structure to prevent movement.
- b) Batteries
- c) Fixed and/or essentially permanent interior accommodation, hatch covers and floor boards.
- d) Fixed and/or essentially permanent machinery, electrical and plumbing systems
- e) Outboard motor when it is stowed aboard in appropriate stowage
- f) Mast, boom, spinnaker pole and/or sprit, if any, fully rigged as for racing. Masts shall be raked aft to the limit of their adjustment. Where this limit is forward of the vertical the mast shall be set vertical.
- g) Standing rigging and fittings. All standing rigging and related fittings used whilst *racing* shall be attached in their normal positions. Running rigging forward of the mast and all halyards and lifts shall be taken to the foot of the mast and hauled tight. All other pieces of running rigging abaft the mast shall be taken to their aftermost position and hauled tight. All halyard tails shall be taken to their normal working positions. If the halyard weight varies significantly along its length, the tail shall be on the cabin floor for the inclining experiment, with the halyard fully hoisted and attached to a light messenger line. A halyard may be used as a topping lift.
- h) Rudder, wheel/tiller and steering gear, fitted complete as for racing.
- i) Keel and any bulb, fitted complete as for racing.
- j) Centerboard(s) and drop keels shall be fully raised. If any drop keel or movable appendage is to be locked when *racing* it shall be so locked and the locking device shall be in place.
- k) All fixed electronics, instruments, compasses, lights, antennas and masthead devices.
- l) All halyards as for racing.
- m) Boom running rigging and any vang, as for racing. Booms shall be secured at the low points of **P** and **PY**, as the case may be.
- n) Hydraulic systems including hydraulic tanks shall be full for measurement and shall remain full when racing.
- o) Pulpits, stanchions and lifelines.
- p) Mattresses, berth cushions, settee seat cushions and backrests, and permanently installed tables, doors on/in their normal position
- q) Permanently installed stoves, heaters or other electrical devices

5.02.4 Specifically excluded from Measurement Trim is the following:

- a) Water and the liquid contents of any tanks or voids in the keel or any other appendage. Fuel tank shall be as empty as possible (recommended) or full with its capacity, distance from stem and condition at measurement recorded. Any liquid recorded in the tank is deducted from the displacement, and the trim recalculated, and freeboard measurements are adjusted accordingly.
- b) Any sails, including storm and emergency sails.
- c) Sheets, blocks, winch handles and other running rigging, except as in 5.02.3 above.
- d) All portable safety gear, including fire extinguishers and liferaft(s).
- e) Decorative throw pillows, sleeping pillows and any other bedding, towels, etc.

- f) All cooking and eating utensils, portable heaters and compressed gas bottles
- g) Any food or stores
- h) All tools, spares and stores.
- i) Miscellaneous portable and personal gear, books, navigation tools, etc.
- j) Anchors and anchor ropes, including both chain and fiber.
- k) Dock and mooring lines and any other cordage.
- l) Outboard engines without appropriate stowage and portable fuel containers.

5.02.5 For boats with LOA > 24.0 m (79 ft.) items listed in 5.02.6 when impracticable to be removed from the boat, may remain aboard with their weight recorded. Freeboards and stability measurements shall then be adjusted by subtracting recorded items. This procedure shall be verified and approved by the ORR Chief Measurer.

5.02.6 Measurement inventory shall be recorded as follows:

- a) Interior Ballast: description, weight, distance from stem, height from the waterline
- b) Batteries: description, weight, distance from stem, height from the waterline
- c) Engine: manufacturer, model
- d) Tanks: Use, type, capacity, distance from stem, height from the waterline, condition at measurement
- e) Miscellaneous: description, weight, distance from stem, height from the waterline (boiler, air-conditioning, heating etc.)

The following additional items are weighed and inventoried for all boats:

- a) 1-Anchor: weight
- b) Anchor chain and rode: weight
- c) Tools: max weight 15lbs.
- e) Safety equipment: weight- **PFD's, harnesses, emergency signaling, ditch bag**, EPIRB, throw-able/MOM/Lifesling, 1-first aid kit
- f) Deck equipment: weight - One set of sheets and guys and any running rigging not carried permanently on spars, winch handles, Four (4) deck blocks, used in sailing the boat.
- g) Fire Extinguishers

5.03 Mast and Rig Weight.

Assessment of pitch gyradius (Part VIII) requires measurement and/or the classification of various features of the boat. It is strongly encouraged that masts which qualify as carbon be measured for total rig weight and vertical center of gravity, prepared as specified in 9.14. Other elements of pitch gyradius require counting of spreaders, jumpers and runners, the classification of hull construction, rudder construction and accommodation.

PART VI – HULL

HULL MEASUREMENT

6.01 Principle of Hull Measurement.

It is the principle of hull measurement under the ORR that the “lines” of the hull and appendages are recorded in considerable detail so as to yield, in combination with measurements afloat, hydrostatic data sufficiently accurate for rating purposes.

6.02 Hull Offset File.

The Hull Offset File as processed by the ORA/rating authority shall define the boat’s hull for the purpose of calculating a valid ORR Certificate until such time as there may be a change to the actual hull (including appendages).

6.03 Remeasurement.

A hull which has been modified will normally require hull re-measurement. A hull which has not changed shall not be re-measured and processed except where the Rating Authority is satisfied that reasonable evidence of error exists.

6.04 Length Overall (LOA).

The length overall of a boat will be measured to include the whole hull, but not spars or projections fixed to the hull such as chainplates, bowsprits, boomkins, pulpits, etc.

6.05 Maximum Beam (MB).

The maximum beam of the boat as taken from the measured offset file.

6.06 Definitions of Keels.

A boat’s keel configuration shall be determined by its characteristics and shall be classified as one of the following.

6.06.1 Fixed Keel. A boat shall be classified as fixed keel when no part of the keel is adjustable when racing so as to alter the boat’s maximum draft.

6.06.2 Centerboard. A boat shall be classified as centerboard when she is fitted with a centerboard(s) and/or a dagger board (s) which can and may be moved when racing to modify the boat’s total draft. The total weight in air of such boards shall be less than $0.05 \times \text{DSPM}$.

6.06.3 Drop Keel. A boat shall be classified as drop keel when she is fitted with a board or boards which can and may be moved when racing to modify the boat’s total draft and where the total weight in air of such board(s) is equal to or more than $0.05 \times \text{DSPM}$.

6.06.4 Wing Keel. A boat shall be classified as wing keel if the keel meets specific criteria in the Guide to ORR Measurement.

6.07 Limitations on Centerboards

6.07. The movement of a centerboard or drop keel while racing shall be restricted to one of the following:

- a) Straight extension or retraction as in a dagger board.

b) Extension about a single fixed pivot.

6.07.2 The longitudinal movement of the center of gravity of a Drop Keel when it is being raised or lowered (CBLD) shall not exceed $0.06 \cdot L$.

6.07.3 A boat equipped with a centerboard or drop keel which fails for any reason to fulfill the requirement of 607.1 and 607.2 above, shall be given dispensation if the board or keel can be fixed in a predetermined position and shall be so fixed both for measurement and at all times when racing. Such a boat shall be classified and measured as a fixed keel boat for rating purposes.

HULL DERIVED CHARACTERISTICS

6.08 Measurement Trim.

The boat is measured afloat in a convenient location according to the rules for condition of loading as set forth in 5.02.2 for the purpose of defining "local" measurement trim. At the time of flotation measurement, the local Specific Gravity is measured and recorded as SG.

Measurement Trim for rating calculations is the trim derived in the VPP by converting flotation at local SG to a normalized flotation at a standard SG equal to 1.02528 (nominal seawater).

6.09 Sailing Trim.

Sailing Trim shall be the plane of flotation derived from Measurement Trim by the addition of weight to represent a crew (8.11) and a practical minimum of gear.

6.10 Sailing Length (L).

The Sailing Length (L) is an effective sailing length which takes into account the hull form at the ends of the boat, both above and below the plane of flotation in Sailing Trim.

6.11 Displacement (DSPM & DSPS).

DSPM and DSPS are the weight of the boat in Measurement Trim and Sailing Trim respectively.

6.12 Wetted Surface (WSS).

WSS is the area of the immersed hull surface in upright Sailing Trim.

6.13 Maximum Draft Including Keel (DHK).

The maximum draft of the hull including fixed keel (DHK) shall be the vertical distance from the Sailing Trim plane of flotation to the lowest point of the hull or fixed keel, whichever is deeper.

6.14 Maximum Draft Adjusted for Centerboard (DHKA).

DHKA is the maximum draft of the hull including fixed keel adjusted for the centerboard and is the draft used for rating purposes.

PART VII – PROPELLER

7.01 General Requirements.

The hydrodynamic drag of the propeller installation shall be taken into account by the Velocity Prediction Program and will be determined from the Propeller Installation Projected Area (PIPA) only if the propeller is at all times ready for use and shall not be retracted, housed, or shielded except by a conventional strut or aperture nor in such a position as to be clear of the water under normal sailing conditions.

7.02 Propeller Types.

7.02.1 Folding Propeller. To qualify for measurement a "folding" propeller shall be a standard model in series production, unaltered, having a minimum of two blades that fold together pivoting on an axis at right angles to the shaft line when not being used for propulsion.

7.02.2 Feathering Propeller. To qualify for measurement a "feathering" propeller shall be a standard model in series production, unaltered, having a minimum of two blades that pivot so as to substantially increase pitch when not being used for propulsion.

7.02.3 Solid Propeller. To qualify as "solid" a propeller shall be a standard model in series production, unaltered, having a minimum of two fixed blades of normal elliptical shape and a maximum width of not less than .25 times the propeller diameter measured across the driving face of the blade on a chord at right angles to the radius of the blade. Pitch shall not be greater than the propeller diameter. Hub and blade area projected into a plane at right angles to the shaft line shall not be less than .2 times the propeller diameter squared. If any of these conditions are not fulfilled the propeller is to be measured as a folding propeller except that if the projected area requirement is confirmed by template and the pitch requirement is confirmed by inspection, all other conditions shall be deemed to have been fulfilled.

7.03 Installation Types.

The propeller installation shall be classified according to the following rules:

7.03.1 In Aperture. To qualify as an "in aperture" installation, the propeller must be solid or three-bladed and entirely surrounded (in the vertical plane of the shaft line) by the keel, skeg, and/or rudder.

7.03.2 Strut Drive. To qualify as "strut drive" the drive train shall be enclosed in a strut and the unit incorporating drive train and strut shall be of a standard model in series production. The surface and shape of the unit may be faired (e.g., with fillers) provided that its function is in no way impaired and none of the dimensions required for measurement of the unit are reduced relative to those as manufactured.

7.03.3 Out of Aperture. All other propeller installations qualify as "out of aperture".

PART VIII – STABILITY AND PITCH GYRADIUS

8.01 Inclining Tests.

Inclining tests shall be made to determine the righting moment of the boat. Except for inclining apparatus including spinnaker pole(s) as specified below the boat shall be in measurement trim as detailed in 5.02.2. In the case of a boat fitted with a centerboard or drop keel which is not locked to prevent movement for measurement and racing, the inclining tests will be carried out with the centerboard or drop keel fully raised. The boat shall be inclined as detailed below:

- 8.01.1** A calibrated and approved electronic inclinometer connected to a computer or a manometer, to the specification circulated to rating authorities, shall be positioned athwart the boat where it can be read by the measurer, who shall be stationed off the boat.
- 8.01.2** Two poles shall simultaneously be positioned port and starboard at the MB station and suspended outboard to provide arms for supporting inclining weights. The poles shall be arranged normal to the boat's centerline and as nearly horizontal as is possible but allowing sufficient clearance to prevent the weights touching the water. The poles shall be approximately J, SPL or .8*TPS in length and the boat's pole or poles shall normally be used when available. If a boat's pole is not used it shall not be on board.
- 8.01.3** A set of weights shall be prepared (see 8.05). The weights shall be recorded in pounds when the boat is measured in feet and in kilograms when the boat is measured in meters. The weights shall be measured and recorded to a level of precision not less than 0.2 of a pound or 0.1 of a kilogram. If water containers are used as weights the scales used for measurement shall be regularly tested to ensure that they are accurate.
- 8.01.4** When the poles are rigged and all the weights suspended on the starboard side the datum on the manometer shall be marked. In the case of an electronic inclinometer with continuous sampling, a record shall be recorded and the average taken.
- 8.01.5** The weight shall be transferred to the port side, the measurer recording the weight transferred and the manometer read.
- 8.01.6** All the weights shall be suspended on the starboard side once again and the datum on the manometer verified following the procedures in 8.01.4.

INCLINING MEASUREMENTS

8.02 Pendulum Length (PL).

Pendulum Length Measured (**PLM**) shall be the length of the manometer from the center line of the fluid reservoir to the centerline of the gauge cylinder; it shall be recorded in millimeters to one place of decimals and shall not be less than 2000.0mm. Gauge surface area (**GSA**) shall be the surface area of the manometer gauge. Reservoir surface area (**RSA**) shall be the surface area of the fluid reservoir. PLM, GSA and RSA shall be common to all readings. PL shall be obtained from the formula:

$$PL=PLM/(1+GSA/RSA)$$

Note: Where an ORR approved electronic inclinometer is used instead of a manometer, PLM is conventionally recorded as 9000; GSA and RSA as 1.0.

8.03 Weight Distance (WD)

WD shall be the horizontal distance from the point of attachment of the starboard weight to the point of attachment of the port weight. It shall be measured with the weights distributed equally on the two pole ends. The weights shall be attached so that the weight distance is constant for all tests. The weight distance shall be of the order of maximum beam (MB) +2.0*SPL.

8.04 Pendulum Deflections (PD)

PD shall be the deflection on the manometer gauge after each weight of the set has been moved, from the datum established in 8.01.4 above. They shall be recorded in millimeters and shall be within the limits given in 8.05 below.

8.05 Weights (W)

W shall be the total weight suspended from the port pole for each reading of the manometer. The weight shall be of suitable magnitude to ensure that the largest PD is within +/- 0.01*PL of 0.105*PL for boats with LOA >12.5M (41.0 ft.) and +/-0.01*PL of 0.125*PL for boats with LOA <= 12.5M (41.0 ft.)

RIGHTING MOMENT -- MEASUREMENT TRIM

8.06 Inclining Slope (SLOPE)

The slope of the straight line through the inclining weight vs. pendulum deflection is determined.

8.07 Righting Moment (RM).

$$RM=WD*PL*0.0175/SLOPE$$

8.08 Righting Moment Corrected (RMC).

8.08.1 For boats with fixed keels or centerboards locked to prevent any movement: RMC=RM

8.08.2 For movable boards or drop keels, RMC is adjusted for the movement of the board/keel.

RIGHTING MOMENT AND WEIGHTS -- SAILING TRIM

8.09 Righting Moment per Degree in Sailing Trim at 2 degrees Heel (RM2).

RM2 shall be calculated from the displacement and vertical center of gravity in Measurement Trim by the addition of weight for the mainsail (MSW), crew, gear and other sails at their established centers of gravity.

8.10 Righting Moments by Heel Angle (RM2, RM20, RM25, RM40, RM60 and RM90).

These are the Sailing Trim righting moments at 2, 20, 25, 40, 60 and 90 degrees of heel (with all crew on the boat's centerline) divided by the heel angle in degrees. The VPP uses these to establish the righting moment vs. heel angle curve for the boat. This stability curve is augmented by moving Crew Weight to the weather rail when appropriate, by dynamic stability effects, and by moveable ballast.

8.11 Crew Weight (CW), Base Crew Weight (BCW) and Assigned Crew Weight (ACW).

A maximum crew weight is calculated for each boat. The owner may, by "owner declaration" (see 8.12), adjust his boat's maximum allowed crew weight up or down within calculated limits. The VPP takes this crew weight into account. Where no declaration of crew weight has been made, an Assigned Crew Weight (ACW) of 1.2 * Base

Crew Weight (BCW) will be used in the VPP and will be the maximum allowable for racing. BCW is determined by the formula:

$$BCW(lb.) = (DSPM/2240/ (.01 * LSM0)^{3/254})^{.375} * (RM / (DSPM * MB) / .00571)^{.4} * LSM0^{1.55 * 7.6}$$

In the above formula, DSPM is displacement in Measurement Trim and MB is the Maximum Beam taken from the hull offsets. RM is the righting moment per degree in standard water in measurement trim with the VCG effect of inclining weights removed. LSM0 is an effective sailing length in Measurement Trim.

8.12 Declared Crew Weight (DCW).

8.12.1 Standard and Inshore Certificates

Declared Crew Weight (DCW) shall not be taken as less than the greater of 251.75 Kg (555.0 lb.) or 0.65 times the calculated base (BCW) for the boat. Nor shall DCW be taken as greater than 1.2 times the calculated base (BWC). Boats with DCW greater than base (BCW) do not get credit for the extra crew being above the boat's sailing trim VCG. These boats will have sailing trim calculated with default crew weight, but the full DCW will be used in calculations that move crew onto the rail in optimizing performance to sailing conditions.

8.12.2 Double Handed Certificates

Declared Crew Weight (DCW) for double handed certificates may be taken as less than 251.75 Kg (555.0 lbs.) or .65 times Base Crew Weight (BCW).

PITCH GYRADIUS

8.13 Elements of Pitch Gyradius.

The following elements of the pitch gyradius calculation shall be determined by examination of the boat and recorded on her certificate. Where deemed appropriate, a declaration from the owner may be substituted for examination of one or more elements, but all elements are subject to examination at any time in cases of doubt.

8.13.1 Hull and Deck Construction. Owners are reminded of their obligations under ORR 3.02.4. Hull and deck construction shall be classified as one of the types below. Note that limited amounts of high strength carbon edge capping of bona fide hull structural frames, girders and stringers, and as localized reinforcement on bulkhead faces in way of chain plate attachments, will not affect the hull construction category provided it is used below decks between 0.3LOA and 0.7LOA aft of the stem.

SOLID: Non-cored, solid E-glass, metal or wood hull and deck, but including also E-glass decks with core material. Where the construction is of wood, the minimum density of any layer shall not be less than 300 kilograms per cubic meter.

CORED: Hull skin of E-glass (see above) or wood, but incorporating a core material of less density than the skin.

LIGHT: All other construction types, but excluding the incorporation of any carbon fiber (see below).

CARBON: Where carbon fiber has been incorporated anywhere in the construction of the hull and/or deck.

HCMB: In addition to recording the appropriate construction type as above, where a honeycomb core has been incorporated in hull or deck construction, this shall also be recorded.

8.13.2 Rudder Construction. Rudder construction shall be classified as one of the following:

STANDARD: Neither rudder nor rudder post contain any carbon fiber.

CARBON: Rudder and/or rudder post contain carbon fiber in any amount.

8.13.3 Forward Accommodation. Where the bow forward of the mast is fully fitted out as a separate sleeping or living space built of solid construction, including bunks (pipe berths do not qualify), personal gear stowage, etc., the boat shall be classified as having Forward Accommodation which shall be recorded on the Certificate.

8.13.4 Number of Spreader Sets. The number of sets of mainmast spreaders shall be recorded on the Certificate.

8.13.5 Jumper Struts. Where the mainmast incorporates jumper struts, this shall be recorded on the Certificate.

8.13.6 Number of Runners (Inner Backstays) and Adjustable Inner Forestays: see 9.12.4.

8.14 Assessment of Pitch Gyradius.

The VPP assesses the added resistance of the hull resulting from sailing in wind-driven waves using a routine which estimates a base pitch gyradius. The pitch gyradius is an indicator of how spread the weights of a boat are. A small gyradius indicates that the weights are relatively concentrated. In general, the higher the gyradius is, the greater the added resistance. Adjustments are made to the base gyradius according to the following recorded characteristics of the boat:

8.14.1 If Mast Weight (MWT) and Mast Center of Gravity (MCG) have been recorded, the gyradius contribution of the mast is assessed as compared to that of a hypothetical base aluminum mast and a corresponding mathematical gyradius adjustment is made.

8.14.2 For a boat with a carbon mast measured afloat before 01 Jan 2000, and where MWT and MCG are not recorded, the base gyradius shall be adjusted by a default mast gyradius increment.

8.14.3 If MWT and MCG are not recorded, the gyradius is increased in accordance with the number of spreader sets, jumpers struts, adjustable inner forestays and running backstays.

8.14.4 Further gyradius adjustments are made for:

- a) Mizzen mast,
- b) Hull construction: SOLID, CORED, LIGHT, CARBON, HONEYCOMB,
- c) Age Date,
- d) Forward Accommodation,
- e) Carbon fiber rudder construction.

PART IX – RIG

9.01 Rig Restrictions

9.01.1 Boats shall have substantial, bona fide mainsails. No boat shall be rated under ORR if P+BAS is less than the greater of $.96*IG$ or $.96*ISP$.

9.01.2 Rotating and/or pivoting masts are prohibited from ORR.

9.01.3 A boat must have a bona-fide forestay. That forestay may be adjustable, if so it will be rated as such. **The forestay shall remain attached at all times while racing.**

9.01.4 The following adjustments to rigging are permissible unless a specific rig element has been declared not adjustable for rating purposes:

- a) Forestays.
- b) Main Backstays.
- c) Runner Backstays.
- d) Mizzen Backstays.
- e) Checkstays.

9.01.5 No boat shall be rated under ORR if any spar is built wholly or in part of any material other than wood, aluminum alloys, steel alloys or fiberglass reinforced plastic, except as provided in a) and b)

- a) the restrictions of this section do not apply to booms and spinnaker poles.
- b) if the mast is constructed substantially of carbon in section throughout its entire length. In such case carbon fiber reinforced plastic is permitted for masts as well as integral moldings, spreaders, and jumpers.

9.01.6 Permanently bent spars are not permitted. A spar that will straighten when stresses imposed by the rigging are removed does not constitute a permanently bent spar.

9.01.7 Movement of Mast at Deck Step. Altering the location of the mast at the step or deck while racing is not permitted.

9.01.8 Adjustment of Rigging. Adjustment of rigging while racing is not permitted except as specifically set forth below. Otherwise all means of adjustment must be positively locked and/or bound up to prevent accidental adjustment while racing. The following adjustment is permitted while racing except where an element of rigging has been declared not adjustable for rating purposes:

- a) For purposes of safety, i.e. an exceptional adjustment of a stay to cure a fault.
- b) Where a mast is rigged with all spreaders clearly swept aft (spreader angle greater than 10 degrees), the forestay of that mast may be adjusted and must be declared as such for rating purposes.
- c) Inner forestays attached to the foremost mast above $0.225*IG$ above the sheerline that are adjustable shall be declared as such.
- d) Main backstays. If adjustable, main backstays must be declared as such.
- e) Runner backstays.
- f) Mizzen backstays.

RIG MEASUREMENT

9.02 Sail and Rig Measurement.

All spars and standing rigging, adjustable or fixed, must be available to the Measurer for measuring or checking marked dimensions and declarations made as to the use of these while racing (see also 3.02.3).

9.03 Painted Measurement Bands.

Measurements may be taken to locations defined by painted bands, of black or other contrasting color, only when these bands are in place at the time of measurement. Where measurements are taken to such bands any movement of the bands or a failure to display them while racing shall invalidate the rating certificate.

FORETRIANGLE

9.04. Base of Foretriangle (J).

J shall be the actual foretriangle base measured horizontally from the foreside of the mast at its lowest point above the deck or coach-roof to the center line of the foremost stay on which jibs are set (or the center line of the luff of the foremost jib, if the jib is to be set flying), extended if necessary, to intersect the level of the sheer line, or to a bowsprit if used. Where there is the capacity for the mast to be moved at the deck, J shall be measured with the mast at the aftermost limit of adjustment unless a 1 in. (25mm) contrasting band is provided. In this case J shall be measured to the aft edge of the band and the forward face of the mast may not move aft of this point.

9.04.1 Stem to Forward End of J (SFJ)

SFJ shall be the horizontal distance from the forward end of J to the forward end of LOA (negative if a bowsprit is used).

9.05. Spinnaker Pole and Spinnaker Tack Point (SPL & TPS).

9.05.1 The boat's spinnaker configuration shall be declared by the owner and recorded as one of three permitted types:

- a) Symmetric: all spinnakers are symmetric, spinnaker pole allowed.
- b) Centerline Asymmetric: no spinnaker pole allowed aboard the boat while racing, any spinnaker to be tacked only on the centerline of the boat.
- c) Centerline Asymmetric: with a maximum of J length single whisker pole attached to the mast allowed aboard the boat while racing to be used only for winging out a jib to windward.
- d) Asymmetric: asymmetric and symmetric spinnakers allowed, spinnaker poles allowed.

9.05.2 Spinnaker Pole Length (SPL). SPL shall be the length of the spinnaker pole when forced outboard in its fitting on the mast and set in a horizontal position athwartships, measured from the center line of the boat to the extreme outboard end of the pole and any fittings used when a spinnaker is set.

9.05.3 Tack Point of Spinnaker (TPS). TPS shall be the horizontal distance from the foreside of the mast at its lowest point above the deck or coach roof to the point of attachment at deck level of the foremost tacking point of an asymmetric spinnaker or to the extreme forward end of any bowsprit in its maximum extended position.

MAIN MAST AND BOOM

9.06 Mast Measurements.

Measurements shall be taken parallel to the axis of the spar with the spar straight.

9.06.1 Height of Genoa Halyard (IG). IG shall be the genoa height measured from the point of attachment of the forestay to the mast structure, or the intersection of the center line of the forestay with the foreside of the mast where the point of attachment is internal, to the level of the deck as defined in 9.08.

9.06.2 Height of Spinnaker Halyard (ISP). ISP shall be the height of the uppermost spinnaker halyard. It shall be measured from the underside of the spinnaker halyard, when drawn horizontally forward from the mast, to the level of the sheer line abreast the mast as defined in 9.08.

9.06.3 Forestay Outrigger (GO). GO shall be the horizontal distance from the upper point of measurement used to determine IG to the after side of the mast or vertical projection of the after side of the mast.

9.06.4 Mast Width (MW). MW shall be the minimum fore and aft width of the mast to be found at any point below the top of IG and above the lower spreader.

9.06.5 Maximum Transverse Dimension of Mainmast (MDT1). MDT1 shall be the maximum thickness of the mast in the athwartships direction occurring above $0.5 * P$.

9.06.6 Maximum Longitudinal Dimension of Mainmast (MDL1). MDL1 shall be the maximum thickness of the mast in the fore and aft direction occurring above $0.5 * P$.

9.06.7 Taper Length (TL). TL shall be the distance from the highest point at which MDT1 or MDL1 occurs, whichever is lower, to the upper measurement point for P.

9.06.8 Upper Transverse Dimension of Mainmast (MDT2). MDT2 shall be the minimum thickness of the mast in the athwartships direction below the upper measurement point for P.

9.06.9 Upper Longitudinal Dimension of Mainmast (MDL2). MDL2 shall be the minimum thickness of the mast in the fore and aft direction below the upper measurement point for P.

If the thickness of a mast (constructed of materials other than wood) in the athwartships direction is less than MDT1, or in the fore and aft direction is less than MDL1, at any point below the highest points at which they occur, the smallest athwartship value found shall be substituted for MDT1 and the smallest fore and aft value found shall be substituted for MDL1, except that any bona fide luff groove shall always be included. Any such substitution shall not affect the definition of TL. Excluding a luff groove device, no hollows in section are permitted. Any addition of material to the base mast section shall consist of the same primary structural material as the mast itself. The MDL measurements shall include any bona fide luff groove or track attached directly to or integral with the mast. Any secondary luff groove device otherwise attached shall not be included and the relevant boom and mainsail measurements shall be increased by the longitudinal dimensions of the device as determined by the Measurer.

9.07 Mainsail Hoist (P).

P shall be the measured length of the hoist of a jib headed mainsail. It is the distance along the afterside of the

mainmast from the highest level to which the head of the sail, or any part of a headboard carriage abaft the track or mast groove, may be set to the lowest position of the tack. The highest point shall be taken as the top of the highest sheave used for the main halyard, or to the lower edge of a one-inch measurement band. The lowest position of the tack shall normally be the fair extension of the top of the boom or any external track or groove.

9.07.1 If a sliding gooseneck is used, measurement is to be made with the boom at the extreme bottom of the slide unless the lowest sailing position of the foot of the sail (boom or boom track) is marked by the upper edge of a one-inch measurement band around the mast. The top of the boom (or track) shall not be carried below this point when the mainsail is set, except when actually putting in or shaking out a reef in the mainsail.

9.07.2 In the event that the tack of the sail is carried below the boom, its lowest position shall be marked by the upper edge of a one-inch measurement band around the mast from which the low point of P shall be measured.

9.08 Height of Deck.

The height of deck used as a datum for sail area measurements shall be the sheer line abreast the mast.

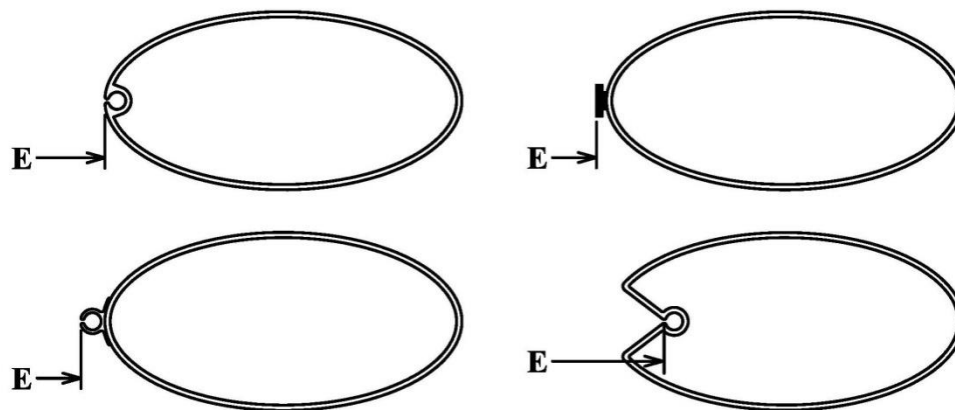
9.09 Boom above Sheerline (BAS).

BAS shall be the distance between the low point used in the determination of P and the level of the deck as defined in 9.08.

9.10 Foot of Mainsail (E & BAL).

9.10.1 Foot of Mainsail (**E**). E shall be the length measured along the boom from the aft side of the mast including any external track or groove, or its fair extension parallel to the axis of the mast, to the aftermost position to which the sail is permitted to extend. Where this latter point is inside of the boom end, it shall be located by the inner edge of a one inch measurement band around the boom.

Any part of the mast which extends abaft the aft side of the track or mast groove shall be ignored in determining E.



9.10.2 Sheeting Limit (**BAL**). BAL shall be the distance from the outer measurement point of E to a contrasting measurement band denoting the limit on the boom beyond which no lead for the sheeting of headsails shall be attached. In the absence of such a band BAL shall be measured to the boom end. BAL shall not exceed 0.152 m (0.50 ft.).

9.11 Boom Diameter (BD).

BD shall be the maximum dimension of the main boom measured in section inclusive of any structure used to stiffen the boom. A boom with a BD in excess of $0.05 * E$ is not permitted.

9.12 Rigging Plan.

Stays which are adjustable fore and aft while racing shall be declared by the owner, confirmed by the Measurer and recorded as follows:

9.12.1 Adjustable Forestay. When the forestay itself is adjustable this shall be recorded as "adjustable forestay".

9.12.2 Adjustable Backstay. When the uppermost backstay is adjustable this shall be recorded as "backstay adjustable".

9.12.3 Adjustable Forestay and Backstay. There is no restriction on having simultaneously an adjustable forestay and an adjustable backstay on a boat equipped with swept spreaders (see 9.01.8b). There is an appropriate rating adjustment in the VPP.

9.12.4 Running Backstays. Where there are one or more pairs of backstays below the uppermost backstay (inner backstays, runners, checkstays, etc.), these shall be recorded as "runners". The number of pairs, based on the attachment points on the mast, shall also be recorded (see also 8.13.6). A secondary runner tension adjuster, leading to the mast approximately perpendicular to the runner itself, shall not be counted.

9.13 Chainplate Width (CPW).

CPW shall be the distance between the centers of the bearing points of the chainplates for the upper shrouds of the mainmast.

9.14 Rig Weight and Center of Gravity (MWT, MCG & WB).

Rig Weight and Center of Gravity (MWT, MCG & WB) as outlined in 9.14 is optional for all masts. However, ORA strongly encourages the mast be weighed together with its standing rigging and recorded as MWT for accuracy; otherwise a default weight is used for the calculations

9.14.1 The main mast, together with its standing rigging, shall be weighed and the weight found recorded as **MWT**.

9.14.2 The vertical center of gravity shall be determined relative to the lower measurement point of P and recorded as **MCG**.

9.14.3 As appropriate to the size of the mast, the values for MWT and MCG may be found either by measurement at the single point of the center of gravity of the mast and rigging or by measurement of tip and butt weights separately, followed by calculation of the values to be recorded.

9.14.4 The Boom construction shall be noted as "light" or "heavy" depending on the material and method used in construction and recorded as **WB**.

9.14.5 All measurements above shall be taken with the components dry and the spars fitted only with components with which the boat will actually race as specified below.

9.14.6 The mast shall be completely rigged with standing rigging, running backstays, permanent backstays, spreaders, jumpers, lights, antennae, instrument displays and their mounting brackets, wiring, luff groove device and all other permanently attached fittings, including those turnbuckles which are not permitted to be adjusted while racing.

- 9.14.7** Excluded for measurement shall be running rigging, checkstays, rigging adjusters of any type (hydraulic or otherwise) and any associated blocks and tackle, boom vang and reefing tackle. Halyard messengers of not more than 4mm diameter and weighing not more than 15 grams per meter and only sufficient for convenient re-leading may be used to replace internal portions of running rigging.
- 9.14.8** All wiring, messengers and standing rigging shall be in their proper attached positions, and any slack stretched down and secured along the length of the mast with light material, such as lanyards or tape, with any tails hanging free at the butt.
- 9.14.9** Headboard, luff slides, spinnaker pole cars and any other adjustable devices shall be at their lowest limit of travel.

MIZZEN MAST AND BOOM

9.15 Height of Mizzen Mast (IY).

IY is the height measured along the foreside of the mizzen mast from the deck as defined in 9.08 to the higher of:

- 9.15.1** The center of the highest eyebolt or eye used for a mizzen staysail;
or
- 9.15.2** The intersection of the foreside of the mast with the highest strop used for the halyard of a mizzen staysail.

9.16 Mizzen Mast Diameters and Taper Length (MDT1Y, MDL1Y, MDT2Y, MDL2Y & TLY).

Mizzen diameters and taper measurements are as for main masts (ref. 9.06.5 through 9.06.9).

9.17 Mizzen Hoist (PY).

PY is the measured length of the hoist of a jib headed mizzen sail. The method by which this is measured shall follow that used for the hoist of the mainsail (see 9.07).

9.18 Boom above Sheerline (BASY).

BASY shall be the distance between the low point used in the determination of PY, and the level of the deck as defined in 9.08.

9.19 Foot of Mizzen.

- 9.19.1 Foot of Mizzen (EY).** EY is the measured length along the boom from the aft side of the mizzen mast including any external track or groove, or its fair extension parallel to the axis of the mast, to the aftermost position to which the sail is permitted to extend. The method by which this is measured shall follow that used for the foot of the mainsail (see 9.10).

- 9.19.2 Sheeting Limits (BALY).** BALY is the distance from the outer measurement point of EY to any bale on the mizzen boom provided for the lead of any mizzen staysail sheet, limited as for BAL.

9.20 Mizzen Boom Diameter (BDY).

BDY shall be the maximum dimension of the mizzen boom measured in section inclusive of any structure used to stiffen the boom.

9.21 Distance between Masts (EB).

EB is the distance at deck level between the after-side of the mainmast to the fore-side of the mizzen mast.

PART X -- SAILS

All sails must be available to the Measurer for measuring or checking marked dimensions and declarations made as to the use of these while racing (see also 3.02.3 & 9.01).

SAIL RESTRICTIONS

10.01 Construction.

- 10.01.1** The term "sail" shall be taken to include the headboard, tabling, bolt and foot rope or tapes. It shall not include cringles which are wholly outside the sail.
- 10.01.2** Openings in the sail, in addition to the normal cringles and reefing eyelets, are permitted provided that the sail is flat in the vicinity of the openings.

10.02 Sail Inventory

10.02.1 A boat while racing shall not carry on board more sails of each type than the numbers below:

Large jibs	5
Small jibs	4
Light staysails	1
Spinnakers	5
Mainsails	1
Storm Trysails	1
Storm Jibs	1
Heavy -Weather Jibs	1
Mizzens	1
Mizzen Staysails	3

- Large jibs are those having an LPG greater than $1.1*J$. Sails in this category must be tacked on the centerline of the boat.
- Small jibs, including inner forestaysails, are those having an LPG less than or equal to $1.1*J$. Sails in this category must be tacked on the centerline of the boat.
- Where the largest jib for which a boat is rated is a Small Jib, the total number of jibs allowed shall be the Small Jib maximum plus two.
- Light staysails are those having an LPG less than or equal to $1.1*J$ which shall only be set flying. Sails in this category can be tacked off the centerline of the boat.
- The specifications of storm and heavy weather sails are those of the World Sailing Offshore Special Regulations Governing Offshore Racing, section 4.26.3.

10.02.2 For long distance races the race organizer may modify these limitations to permit carrying additional sails of the kinds and numbers appropriate to the character of the race.

10.03 Trimming of Sails.

All sails must be set and trimmed in a manner consistent with the way they are measured. A sail shall not be constructed in such a manner that any portion may be completely detached.

10.04 Double Luffed Sails.

Double luffed sails (those with thick or wrap-around luffs, not spinnakers) are not permitted.

10.05 Restrictions on Setting and Sheeting of Jibs

- a) When a jib is set under a spinnaker or inside another jib, it shall not be tacked in such a position that, if the sail were trimmed flat along a parallel to the center line of the boat, its clew would fall abaft the LP line (see b below).
- b) The LP line is defined as a line abaft and parallel to the foremost headstay and separated from it by the dimension of LP printed on the Rating Certificate. The foremost headstay is defined as the line joining the upper measurement point of IG and the forward measurement point of J.
- c) If a jib is set under or abaft another headsail, it shall not be so tacked that, if trimmed along a parallel to the center line of the boat, more than 50 per cent of its area would fall abaft the foreside of the mast.
- d) No tack pennant greater than 0.762m (2.5 ft.) may be used on a jib (except the storm jib) when set flying.
- e) No jib shall be so tacked that the forward end of any batten is aft of the center line of the mast.
- f) Jibs may be sheeted to any part of the deck or rail, but to no fixed point higher than $0.05 \cdot B$ above the deck or coach roof, or to the main boom, within the measurement limits (see 9.10.2) or to the spinnaker pole when the pole is set on the opposite side from the main boom but may not be sheeted to any other spar or outrigger.
- g) No jib may be set in conjunction with any other headsail so as by any means to simulate a double clewed or double luffed jib. (For example, except when changing sails, no two jibs may be carried simultaneously in a luff groove device and sheeted on the same side of the boat.)

10.06 Restrictions on Setting and Sheeting of Spinnakers

- a) The outboard end of the spinnaker pole shall be used only on the windward side of the boat (i.e. that opposite to the main boom). A spinnaker pole shall only be used with its inboard end attached to the mast (foremast if there is more than one mast).
- b) A bona fide jib (see 10.16) for which the boat has been measured may be set and sheeted as a spinnaker where either of the following conditions apply:
 - 1.** In heavy weather when no other sail is set in the foretriangle and the apparent wind is abaft the beam, or
 - 2.** When all spinnakers aboard have been damaged beyond repair during the race.

A jib so set may have either its tack or clew to the spinnaker pole.

- c) Spinnakers shall be sheeted from only one point on the sail.
- d) A spinnaker may be sheeted to any part of the rail or deck or to the main boom, within the measurement limits (see 9.10.2), but to no other spar or outrigger.
- e) Struts, spools or similar devices used solely for the purpose of keeping the spinnaker guy away from the windward main or foremast shrouds are permitted but are not to be used for any other purpose.

Where the spinnaker configuration is classified as Centerline Asymmetric (i.e., no pole allowed on board – see 9.05.1b), the spinnaker shall be tacked on the centerline of the boat and sheeted on the same side as the boom.

10.07 Restrictions on Setting and Sheeting of Mainsails

- a) Mainsails shall be either fully secured at the foot or fully loose footed and shall remain so while racing. A mainsail secured at the foot shall be provided with a bolt rope, track or tunnel slides, or similar boom attachment that prevents the foot from lifting away from the boom. A loose-footed mainsail shall be sheeted only from a single clew.
- b) Spare mainsails are not permitted to be carried on board.
- c) Storm trysails, as distinguished from loose-footed mainsails, must be materially smaller than a normal close-reefed mainsail and of strength consistent with their purpose for use in extremely severe weather. (see World Sailing Offshore Special Regulations 4.26.3: aromatic polyamides, carbon and similar fibers shall not be used in a trysail or storm jib but spectra/dyneema and similar materials are permitted)
- d) Headboard carriages are permitted only if the sail is set and trimmed in a manner consistent with the way HB was measured (see 10.30).

10.08 Restrictions on Setting and Sheeting of Mizzen Staysails on Yawl or Ketch

- a) Mizzen staysails may be sheeted to the rail or hull, and to the mizzen boom within the measurement limits (whether or not the mizzen is set) but they may not be sheeted to any other spar or outrigger.
- b) Mizzen staysails must be three-cornered (head, tack and clew). The tack or tack pennant must be secured abaft the point of intersection of the afterside of the mainmast with the main deck and also must be secured directly to and no higher than the rail cap, deck or cabin top (includes dog house top).
- c) Not more than one mizzen staysail may be set at the same time.
- d) No mizzen staysail may be carried on a yawl or ketch whose mizzen is set on a permanent backstay in lieu of a mizzen mast.

SAIL MEASUREMENTS

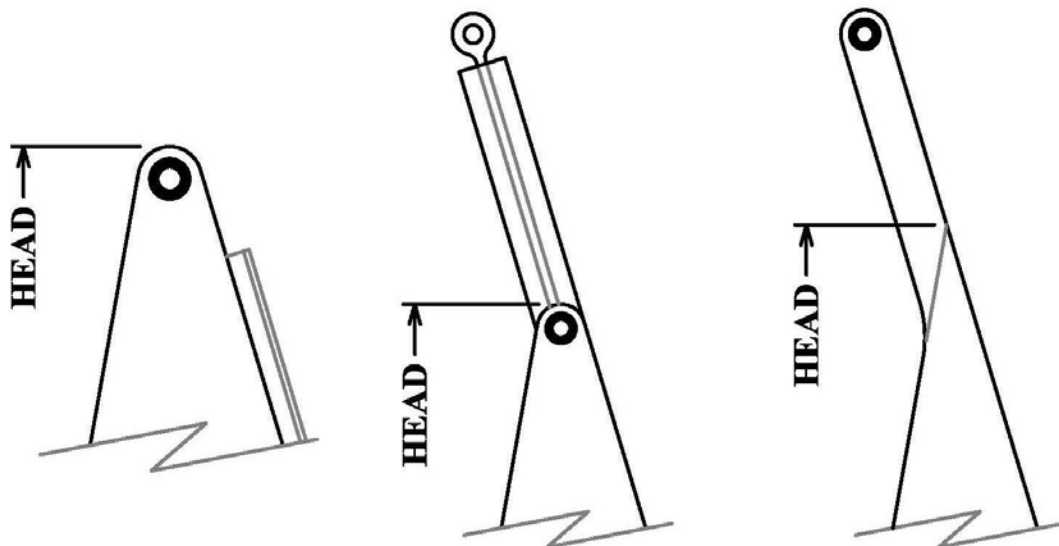
10.09 Tension and Wrinkles in Sails

When measuring sails it is required that sufficient tension be applied between measurement points as to remove all wrinkles across the line of measurement and must include the fabric length between measurement points.

10.10 Measurement Points at Corners of Sails

Measurement points at the corner of a sail shall be the intersection of the adjacent sides projected except in the case of the head of a jib which shall be determined in accordance with the diagrams below. For jibs other than storm jibs, the head measurement point is the highest point of the sail. In the case of a storm jib the head measurement point is the lower of the highest point of the sail or the intersection of the adjacent sides projected. All other measurement points shall be at the extreme outside of rope, wire or fabric of the sail's edge.

Measurement points at the heads of Jibs.



10.11 Definition of Headsails.

The word headsail is defined as a sail set in the foretriangle. It can be either a spinnaker or a jib.

MEASUREMENT OF JIBS

10.12 Longest Perpendicular of Jibs (LPG).

10.12.1 Jibs shall be measured on the perpendicular from the luff (outside edge of the sail and/or luff rope) to clew (intersection of the lines of the foot and leech). A wrap-around jib shall be measured on the perpendicular from the line of junction of the wrap-around parts to the clew.

10.12.2 LPG shown on the rating certificate shall be the value for the largest area jib carried on the boat.

10.13 Jib Girths and Jib Roach (JR).

10.13.1 From any specified point on the leech of a jib, the mid-girth is defined as the distance from that point to the nearest point on the luff of the jib.

10.13.2 JMGL, JMGM, JMGU shall be the mid-girths, as defined in 10.13.1 above, from respectively 25%, 50%, and 75% of the leech length from the clew.

10.13.3 JLE shall be the straight line distance from the jib head to jib clew.

10.13.4 JLU, JLE, LPG, JMGL, JMGM, and JMGU shall be measured for each jib and recorded on that jib's sail certificate.

10.13.5 Jib Roach (**JR**) is defined as the maximum excess of the three girths JMGL, JMGM, JMGU over the base girths of respectively 75%, 50%, 25% of LPG. 75% of JR shall be multiplied by JLE for the purpose of calculating the roach area.

10.13.6 For jibs with $LP < 110\%$ of J at each mid girth the girth excess, as defined in 10.13.5, shall not exceed 12% of its respective base girth.

10.13.7 Jibs with $LP > 110\%$ of J shall not have girth excess (Roach)

10.13.8 The JR and JLE for the largest area jib shall be shown on the certificate.

10.14 Forestay Perpendicular (FSP).

FSP shall be the larger of either:

1. Twice the maximum dimension, measured at right angles to the longitudinal axis, of a luff groove device; or
2. The largest dimension of the doubled portion of a wrap-around jib measured at right angles to the luff line when opened out.

10.15 Longest Luff of Jibs (JL).

The length of the luff shall normally be the distance between the lowest part of the sail on the luff at the tack and the highest point of the sail on the luff at the head. JL shall be recorded as the largest such dimension found on the jibs carried on the boat.

MEASUREMENT LIMITATIONS ON JIBS

10.16 All jibs are subject to the following limitations:

10.16.1 Rule 50.4 of The Racing Rules of Sailing is modified as follows. The mid-girth of a jib measured from mid-luff to mid-leech shall not exceed 50% of the length of the foot. Exception is made for jibs of LPG less than or equal to $1.1 * J$ whose girths are subject to 10.13.

10.16.2 Except in non-overlapping self-tacking jibs no clew boards may be used in jibs.

10.16.3 No headboards may be used in jibs.

10.16.4 Except that battens are not permitted in jibs of LPG greater than $1.1 * J$, battens may be used in jibs of less than $1.1 * J$.

10.16.5 A boat may use a luff groove device provided that such luff groove device is of constant section throughout its length and is either essentially circular in section or is free to rotate without restraint. Any permitted device on the forestay other than hanks shall be measured for FSP (see 10.14).

10.16.6 Jibs may be sheeted from only one point on the sail except in the process of reefing the sail. (Thus quadrilateral or similar sails or sails in which the sailcloth does not extend to the cringle at each corner are excluded.)

DEFINITION OF SPINNAKERS

10.17 Symmetric Spinnakers.

To be classified as a symmetric spinnaker a sail must meet the following criteria:

10.17.1 The luff and leech (see 10.21) must be of equal length.

10.17.2 The sail must be symmetric, in shape, material and cut, about a line joining the head to the center of the foot.

10.18 Asymmetric Spinnakers.

To be classified as an asymmetric spinnaker a sail must meet the following criteria:

10.18.1 The luff shall be at least 5 percent longer than the leech (see 10.21).

10.18.2 The mid girth (see 10.23) shall not be less than 75 percent of the foot length (see 10.22).

MEASUREMENT OF SPINNAKERS

10.19 Spinnaker Headboard (HBS).

HBS shall be the maximum width of a spinnaker headboard, which shall not exceed $0.05 * J$.

10.20 Spinnaker Maximum Width (SMW).

SMW for a symmetric spinnaker shall be the spinnaker maximum width, whether at the foot or across the body of the sail between points on the luff and leech equidistant from the head.

Spinnaker Luff and Leech (SL & ASL).

10.20.1 Symmetric Spinnaker Luff and Leech (SL).

SL shall be the greatest length of a symmetric spinnaker luff and leech measured along the edges of the sail from head to foot.

10.20.2 Asymmetric Spinnaker Luff (ASL).

- a) SLU shall be the length of the longer edge (luff) of an asymmetric spinnaker measured along the edge of the sail from head to tack.
- b) SLE shall be the length of the shorter edge (leech) of an asymmetric spinnaker measured along the edge of the sail from head to clew.
- c) ASL shall be calculated from the following formula:

$$ASL = 0.5 * SLU + 0.5 * SLE$$

For symmetric spinnakers, where stiffening is used to widen the angles at the tack and clew beyond an included angle of 110 degrees the greatest length of any such stiffening along the foot, measured from the clew, shall be added to the luff length to determine SL.

10.21 Spinnaker Foot Length (SF & ASF).

Spinnaker foot length shall be the distance from tack to clew measured in the shortest path on the surface of the sail. For a symmetric spinnaker, the distance shall be recorded as SF. For an asymmetric spinnaker, the distance shall be recorded as ASF.

10.22 Asymmetric Spinnaker Mid Girth Length (AMG).

AMG shall be the distance between the midpoints of luff and leech measured in the shortest path on the surface of the sail.

10.23 Measurements for Spinnaker Area

For calculation of sail area the dimensions of HBS, SMW, AMG, SF, ASF, SL and ASL shall be from the spinnaker with the largest area carried on the boat, but also see 10.43.5 for rated minimum SMW, AMG, SF, ASF, SL and ASL.

MEASUREMENT LIMITATIONS ON SPINNAKERS

10.24 All spinnakers are subject to the following limitations:

10.24.1 A sail shall not be measured as a spinnaker unless the mid girth is 75 per cent or more of the foot length.

10.24.2 Battens (including the inflatable type) shall not be used in spinnakers.

10.243 **Adjustable leech lines are not permitted in symmetric spinnakers.**

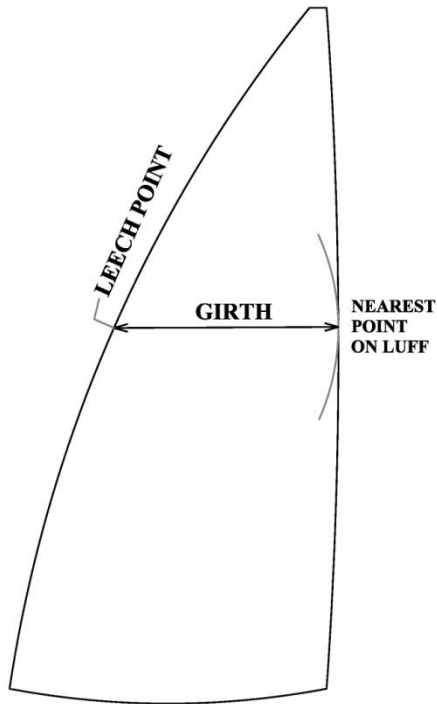
MEASUREMENT OF MAINSAILS

10.25 Mainsail Head - The head shall be taken as the highest point of the sail projected perpendicular to the luff or its extension.

10.26 Mainsail Clew - The clew shall be taken as the aftermost part of the sail projected to the foot of its extension.

10.27 Mainsail Cross Widths - The cross measurements shall be the distance from the leech measurement points, as defined below, to the nearest point on the fore edge of the sail including their bolt rope. The points on the leech from which the cross measurements are taken shall be determined bridging any hollows in the leech with straight lines.

10.28 Mainsail Mid-Point of Leech - The mid-point of the leech shall be determined by folding the head to the clew and the quarter and three-quarter leech points by folding the clew and the head to the mid-point leech. The seven-eighth leech point is determined in a similar fashion.

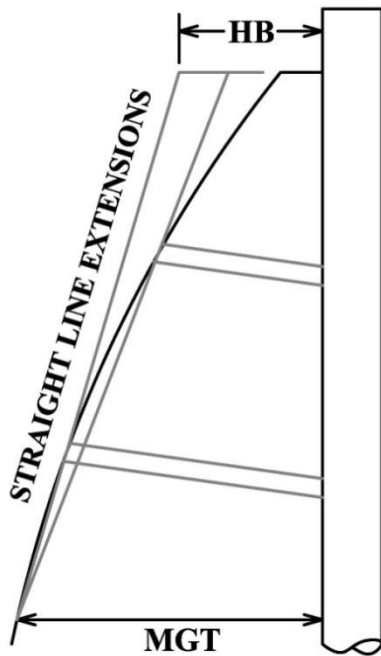


10.29 Mainsail Headboard (HB).

Where the center line of the top batten pocket is not situated above the MGT leech measurement point, HB shall be the maximum fore and aft dimension from the luff of the mainsail, projected if necessary, to the extreme aft edge of the leech measured across the widest part of the headboard. If the widest point of the headboard is in doubt, the highest of the widest points shall be used. If no headboard is fitted, then HB shall be the dimension taken perpendicular to the luff of the mainsail, or its fair projection, to the extreme aft edge of the leech, or its fair projection, across the bearing surface of the head cringle or strop. Any stiffening used to extend the leech beyond a reasonable roach shall be added to HB. HB has as a limit the greater of $0.04 \cdot E$ or 0.152m (0.5 ft.).

10.30 Top Batten Upper Limit – Determination of HB

Where the center line of a batten pocket is situated above the MGT leech measurement point, HB shall be measured as diagrammed below and recorded to the nearest cm (metric) or nearest tenth of a foot (imperial) as for sails. A straight line extension of a line from the leech measurement point of MGT through the outer tip of the batten above MGT giving the greatest value for HB shall determine the aft measurement point for HB.



10.31 Mainsail Girths (MGT, MGU, MGM, & MGL).

10.31.1 MGT, MGU, MGM and MGL shall be the length of the girths of the mainsail taken at points 7/8, 3/4, 1/2 and 1/4 of the leech from the clew respectively, measured in accordance with 10.28. The values recorded for MGT, MGU, MGM and MGL shall be the largest to be found on any mainsail used on the boat.

10.31.2 ORR a mainsail is rated on both its actual area and the vertical distribution of that area.

10.31.2 The rules for mainsail girths and limits apply to mizzens by appropriate substitution.

10.32 Mainsail weight (MSW).

MSW shall be the dry weight of the mainsail not including battens (see also 2.06.1). The value of MSW for any calculation shall be the smallest found on any mainsail used for racing.

10.33 Batten Adjustment

No device other than a normal leech line shall be employed to adjust the curvature of any batten.

MEASUREMENT OF MIZZEN SAILS

Where noted, rules under the Mainsail section apply also to mizzens by substitution of the corresponding mizzen values.

10.34 Mizzen Headboard (HBY).

HBY shall be the maximum fore and aft dimension from the luff, projected if necessary, to the extreme aft edge of the leech measured across the widest part of the headboard. If the widest point of the headboard is in doubt, the highest of the widest points shall be used. By substitution, the HB limit applies to HBY.

10.35 Mizzen Top Batten upper limit.

The center line of the top batten pockets shall not be situated above the MGTY leech measurement point.

10.36 Mizzen Girths (MGTY, MGUY, MGYM & MGLY).

Mizzen girth measurements are as for mainsail girths (reference 10.32).

10.37 Mizzen Batten Adjustment.

No device other than a normal leech line shall be employed to adjust the curvature of any mizzen batten.

MIZZEN STAYSAIL

10.38 Mizzen Staysail Foot (YSF).

Mizzen staysails shall be three-cornered. YSF is the distance measured along the edge of the foot of the mizzen staysail from tack to clew. For measurement purposes, the foot shall be taken as the shortest side. YSF shall be the largest such dimension found on the staysails carried on the boat.

10.39 Mizzen Staysail Depth (YSD).

YSD is the shortest distance that can be measured across the mizzen staysail from head to foot. For measurement purposes the head shall be taken as the junction of the two longest sides. YSD shall be the largest such dimension found on the staysails carried on the boat **Staysail Mid Girth (YSMG)**.

10.39.1 YSMG is the distance measured on the surface of the sail between the mid points of the two longest sides. YSMG shall be the largest such dimension found on the staysails carried on the boat.

RATED ELEMENTS OF THE AERODYNAMICS MODEL

Sail and rig dimensions are used by the Velocity Prediction Program to create an aerodynamic model of the sail plan and rig from which it calculates lift and drag factors to determine the heeling and propulsive force of the sails in different wind velocities and points of sailing.

10.40 Sail Plan Rated Areas.

For the purpose of the aerodynamic model, areas are calculated as follows.

10.40.1 Foretriangle: The area of the foretriangle is determined as $IM*J/2$.

10.40.2 Jib: The area is determined as $JL*LP/2 + 0.75*JR*JLE$.

10.40.3 Spinnakers:

- a) Symmetric Spinnaker: For the purpose of the aerodynamic model, the area of a symmetric spinnaker is determined as $SL*(0.5*SF + 2*SMW)/3$.
- b) Asymmetric Spinnaker: For the purpose of the aerodynamic model, the area of an asymmetric spinnaker is determined as $ASL*(0.5*ASF + 2*AMG)/3$.

10.40.4 Main and Mizzen: Mainsail area is determined by trapezoidal integration of P, E, MGT. MGU. MGM, MGL and HB:

$$\text{Area} = (P/4*(E + MGL)/2) + (P/4*(MGL + MGM)/2) + (P/4*(MGM + MGU)/2) \\ + (P/8*(MGU + MGT)/2) + (P/8*(MGT + HB)/2)$$

Where the value for any girth has not been recorded, the corresponding girth limit is substituted. The mizzen area is calculated by the method given above for the mainsail, substituting the corresponding mizzen values.

10.40.5 Mizzen Staysail: The area of a mizzen staysail is determined as:

$$\text{Area} = \text{YSD}*(2*\text{YSMG} + \text{YSF})/4.$$

10.41 Foretriangle Height (IM).

$$\text{IM} = (\text{IG} + \text{IG}*(\text{GO} - \text{MW})/(\text{J} - \text{GO} + \text{MW}))$$

10.42 Longest Perpendicular of Jibs, Rated (LP).

LP shall be taken as the greatest of LPG + FSP or J.

10.43 Rated Limits

For the purpose of calculating the aerodynamic model, the following limits apply.

10.43.1 IM shall not be taken as less than $0.65*(P + \text{BAS})$.

10.43.2 J: J shall not be taken as less than $\text{IM}/4$.

10.43.3 LP: LP shall not be taken as less than J.

10.43.4 Minimum Jib Area: Jib Area (10.42.2) of a boat's largest jib shall not be taken as less than Foretriangle Area (10.42.1).

10.43.5 Minimum Spinnaker Area: Spinnaker area shall not be taken as less than:

$$\text{Minimum area} = 1.1875*(\text{ISP}^2 + \text{SPL}^2)^{0.5}*\text{SPL}$$

(SPL is replaced with TPS above for boats rated as centerline asymmetric.) This minimum area is the same as a spinnaker with $\text{SL} = 0.95*(\text{ISP}^2 + \text{SPL}^2)^{0.5}$ and $\text{SMW} = \text{SF} = \text{AMG} = \text{ASF} = 1.5*(\text{SPL or TPS})."$

10.43.6 ISP: ISP shall not be taken as less than IG.

10.44 Aerodynamic Drag of Masts.

The aerodynamic drag of the masts shall be taken into account by the Velocity Prediction Program and will be determined from the Effective Height of Mainmast (EHM), the Effective Diameter of Mainmast (EDM), the Effective Height of Mizzenmast (EHMY) and the Effective Diameter of Mizzenmast (EDMY).

10.45 Aerodynamic Drag of Rigging and Spreaders.

The aerodynamic drag of the rigging is calculated by deriving an effective diameter from the rigging default weight (see 725.6), divided by the specific gravity of steel and four times IM. This value is then multiplied by IM to obtain an effective rigging windage area which is corrected to take into account the effect of spreaders. Where the mast does not have bona fide spreaders, the drag for spreaders is omitted and that for rigging reduced.

10.46 Effective Height of Mainmast (EHM).

EHM is the greater of P + BAS or IM

10.47 Effective Diameter of Mainmast (EDM).

$$\text{EDM} = (0.5 * (\text{EHM} - \text{TL}) * (\text{MDT1} + \text{MDL1}) + 0.25 * \text{TL} * (\text{MDT1} + \text{MDL1} + \text{MDT2} + \text{MDL2})) / \text{EHM}$$

For the purpose of calculating EDM, the following limits apply:

MDL1 shall not be taken as greater than MDL1max.

MDL1max shall equal the lesser of $0.036 * (\text{RM25} * \text{IG})^{0.25}$ or $2 * \text{MDT1}$.

MDT1 shall not be taken as greater than $(0.036 * (\text{RM25} * \text{IG})^{0.25}) * (\text{MDT1} / \text{MDL1})$.

MDL2 shall not be taken as greater than $2 * \text{MDT2}$.

Where the measured value of MDL1 exceeds MDL1max, the value of any excess shall be added to the mainsail girths MGL, MGM, MGU and MGT for the purpose of calculating mainsail area (see 10.42.4).

Where, in the taper of any mast presented for measurement and built after 1/1/97, a hollow is found in the fore and aft profile (see **TH** on the Certificate), EDM shall be calculated as follows:

$$\text{EDM} = (0.5 * (\text{EHM} - \text{TL}) * (\text{MDT1} + \text{MDL1}) + 0.25 * \text{TL} * (\text{MDT1} + \text{MDT2} + 2.2 * \text{MDL2})) / \text{EHM}$$

10.48 Effective Height of Mizzenmast (EHMY).

$$\text{EHMY} = \text{PY} + \text{BASY}$$

10.49 Effective Diameter of Mizzenmast (EDMY).

$$\text{EDMY} = (0.5 * (\text{EHMY} - \text{TLY}) * (\text{MDT1Y} + \text{MDL1Y}) + 0.25 * \text{TLY} * (\text{MDT1Y} + \text{MDL1Y} + \text{MDT2Y} + \text{MDL2Y})) / \text{EHMY}$$

For the purpose of calculating EDMY, MDL1Y and MDL2Y shall not be taken as greater than 2 times MDT1Y and MDTY2 respectively.

PART XI – PROCEDURES FOR ORR ONE-DESIGN STATUS

ORA is the Rating Authority for the ORR.

11.01 Action by a Class Association.

11.01.1 In requesting ORR One-Design status a Class Association shall apply to the Rating Authority providing the following:

- a) The official name of the class.
- b) Name and address of designer and all builders of the class.
- c) The number of boats of the class built and sailing.

- d) Details of at least 5 boats available for full ORR measurement, including full One-Design class measurements for each boat.
- e) An undertaking that when ORR One-Design status is agreed, any boat claiming an individual ORR certificate shall be excluded from racing in the class.
- f) A complete set of Class Rules, which shall include at least:
 - Rig, sail propeller installation and freeboard class limit dimensions in accordance with ORR measurement methods.
 - Class requirements for condition of boat for flotation measurement.
 - Pro Forma Class Certificate of One-Design Compliance.
- g) Details of variations within the class, regardless of whether the variants are included for consideration of ORR One-Design status.
- h) A copy of the current Constitution of the Class Association.

11.02 Action by the Rating Authority.

11.02.1 The Rating Authority shall, on the receipt of an application:

- a) Study the Class Rules to determine if ORR One-Design status is possible.
- b) Arrange to measure the hull(s) of the boat(s) to establish a standard offset file. Where there is more than one builder, at least one hull of each builder should be measured.
- c) Check and note the flotation and trim of the boats in One-Design measurement condition. The class rule specification for flotation should include ORR flotation freeboards.
- d) Where necessary make suitable adjustments to the condition of the boats, status of tankage, stowage of gear, etc. to bring them into line with the requirements of the ORR for measurement afloat. The Class Rules shall give the limits of flotation and the ORR One-Design certificate will be based on the upper limits.
- e) Measure each boat afloat as required by the ORR in the trim determined in d) above.
- f) Check the One-Design rig and sail measurements. Rig dimensions given in the Class Rules must add up to give ORR sail measurements.
- g) Using the Standard Offset File, the standard sail measurements and individual flotation and inclining measurements, compute an ORR certificate for each of the boats measured.
- h) Collect a One-Design Application fee as determined by the Rating Authority.

11.02.2 Determination of the ORR One-Design Certificate:

- a) If the Rating Authority is not satisfied that the Class Rules and measurement provide sufficient control of the boats of the class, it may at this time notify the Class Association that it cannot proceed.
- b) After the completion of the action required in 902.1, the Rating Authority shall maintain on file the following documents.
 - Class Rules.
 - Any plans referenced in the Class Rules.
 - Details of how and by whom measurement is being controlled.
 - The Standard Offset File together with all information and measurement files from which the offset file was derived.
 - Copy of the proposed ORR One-Design Certificate for the class.
 - Identity of boats from which the flotation data were derived, together with the measurement data.
 - A copy of the proposed Measurement Inventory.
 - Brief summary supporting the proposed certificate.
 - Proposed method of getting existing boats into the class.

11.03 Administration of ORR One-Design Certificates.

11.03.1 ORR Certificates produced in accordance with One-Design Status shall bear the notation "Based on: ONE-DESIGN RULES".

11.03.2 A One-Design Certificate may be issued by the Rating Authority when:

- a) The Class has been awarded ORR One-Design status by the Rating Authority.
- b) The Rating Authority has received from the Class Association a certification signed by the owner and measurer to the effect that the boat has been measured to and complies with the Class Rules, accompanied by a fee. The fee is to be determined by the Rating Authority, to cover the cost of administration by the Rating Authority.
- c) All sails have been marked in accordance with Rule 77 of the Racing Rules of Sailing.

11.03.3 Revalidation shall be annual. The Class Association shall annually satisfy the Rating Authority of its continuing activity and control of class measurement compliance, providing a list of class members and boats with valid Class Certificates.

11.03.4 Boats changing Country of Registration.

- a) If the owner is a member of the Class Association, he shall inform the Rating Authority of his continued membership.
- b) If the owner does not belong the Class Association, an ORR One-Design Certificate shall not be issued.

11.04 Changes to ORR One-Design Certificates.

11.04.1 One-Design Certificate handicaps can be expected to change from time to time due to changes in either the Class Rules or in the ORR calculations.

11.04.2 The sponsoring Rating Authority shall maintain sufficient data on the ORR measured boats of the class to enable calculation of current certificates when changes are made.

11.04.3 Where Class Rules are changed, re-measurement may be necessary at the discretion of the sponsoring Rating Authority.

11.04.4 A boat which does not hold a valid class certificate or comply with class rules shall not hold a valid ORR One-Design Certificate.

11.04.5 The ORA reserves the right to interpret clauses of the ORR and to change the rules for ORR One-Design status at any time.

INDEX

AA	Age Allowance	Appendix 6
AMG (SHW)	Asymmetric Spinnaker Mid Girth	10.23
ASF	Asymmetric Spinnaker Foot	10.22
ASL	Asymmetric Spinnaker Luff (see also SLU & SLE)	10.21
BAL	Boom after Sheeting Limit	9.10.2
BALY	Boom after Sheeting Limit, Mizzen	9.19.2
BAS	Main Boom Above Sheerline	9.09
BASY	Mizzen Boom Above Sheerline	9.18
BCW	Base Crew Weight	8.11
BD	Boom Diameter, Main	9.11
BDY	Boom Diameter, Mizzen	9.20
BLRI	Ballast-Leeward Recovery Index	2.02.2
CANT	Cant Angle -- Canting Keel	Appendix 7, 2.d
CPW	Chainplate Width	9.13
CW	Crew Weight	9.11
DA	Dynamic Allowance	Appendix 6
DCW	Declared Crew Weight	8.12
DHK	Maximum Draft Including Keel	6.13
DHKA	Draft of Keel and Hull Adjusted	6.14
DSPM	Displacement in Measurement Trim	6.11
DSPS	Displacement in Sailing Trim	6.11
E	Foot of Mainsail	9.10.1
EB	Distance Between Masts	9.21
EDM	Effective Diameter Main Mast	10.49
EDMY	Effective Diameter Mizzen Mast	10.51
EHM	Effective Height of Main Mast	10.48
EHMY	Effective Height Mizzen Mast	10.5
EY	Foot of Mizzen	9.19.1
FSP	Forestay Perpendicular	10.14
GO	Forestay Outrigger	9.06.3
GPH	General Purpose Handicap	Appendix 4, 4.a
GSA	Gauge Surface Area, Inclining Manometer	8.02
HB (MHB)	Headboard of Mainsail	10.3
HBS	Spinnaker Headboard	10.19
HBY	Headboard of Mizzen	10.35

HMI	Hull Measurement Instrument	1.04
IG	Height of Genoa Hoist	9.06.1
IM	Foretriangle Height	10.43
ISP	Height of Spinnaker Halyard	9.06.2
IY	Height of Mizzen Mast	9.15
J	Base of Foretriangle	9.04
JL (HLU)	Longest Luff of Jibs	10.15
JR	Jib Roach	10.13.5
L	Sailing Length	6.10
LIST	List Angle -- Moveable Ballast Boats	Appendix 7, 1.e
LL	Luff Limit of Spinnaker	10.45.8
LOA	Length Overall	6.04
LP	Longest Perpendicular of Jibs, Rated	10.44
LPG	Longest Perpendicular of jibs	10.12
LPS	Limit of Positive Stability	2.02.1
MB	Maximum Beam (nominal)	6.05
MCG	Mast Vertical Center of Gravity	8.14.1
MDL1	Maximum Longitudinal Dimension of Main Mast	9.06.6
MDL1Y	Maximum Longitudinal Dimension of Mizzen Mast	9.16
MDL2	Longitudinal Dimension of Main Mast at Head	9.06.9
MDL2Y	Longitudinal Dimension of Mizzen Mast at Head	9.16
MDT1	Maximum Transverse Dimension of Main Mast	9.06.5
MDT1Y	Maximum Transverse Dimension of Mizzen Mast	9.16
MDT2	Transverse Dimension of Main Mast at Head	9.06.8
MDT2Y	Transverse Dimension of Mizzen Mast at Head	9.16
MGL(MQW)	Mainsail Girth, Lower	10.32.1
MGLY	Mizzen Girth, Lower	10.37
MGM-MHW	Mainsail Girth, Mid	10.32.1
MGMY	Mizzen Girth, Mid	10.37
MGT MUW	Mainsail Girth, Top	10.32.1
MGTY	Mizzen Girth, Top	10.37
MGU MTW	Mainsail Girth, Upper	10.32.1
MGUY	Mizzen Girth, Upper	10.37
MSW	Mainsail Weight	10.33

MW	Mast Width	9.06.4
MWT	Mast Weight	8.14.1
P	Mainsail Hoist	9.07
PIPA	Propeller Installation Projected Area	2.04
PL	Pendulum Length, Inclining Manometer	8.02
PLM	Pendulum Length, Measured, Inclining Manometer	8.02
PY	Mizzen Hoist	9.17
RM	Righting Moment	8.07
RMC	Righting Moment Corrected	8.08
RM2	Righting Moment per Degree in Sailing Trim at 2 degrees heel	8.09
RM20	Ditto 20 Degrees Heel	8.10
RM40	Ditto 40 Degrees Heel	8.10
RM60	Ditto 60 Degrees Heel	8.10
RM90	Ditto 90 Degrees Heel	8.10
RSA	Reservoir Surface Area, Inclining Manometer	8.02
SF (SFL)	Symmetric Spinnaker Foot Length	10.22
SFJ	Stem to forward end of J	9.04.1
SG	Specific Gravity, Flotation Measurement	5.02.1
--	Sheer Point	5.01.4, Appendix 3
--	Sheer Line	5.01.5
SL (SLU)	Symmetric Spinnaker Luff/Leech Length	10.21
SLE	Asymmetric Spinnaker Leech	10.21.2(b)
SLU	Asymmetric Spinnaker Luff	10.21.2(a)
SMW	Symmetric Spinnaker Maximum Width	10.20
SPL	Spinnaker Pole Length	9.05.2
--	Stability Index	2.02.1
TH	Taper Hollow	10.49
TL	Tapered Length of Main Mast	9.06.7
TLY	Tapered Length of Mizzen Mast	9.16
TPS	Tack Point, Spinnaker	9.05.3
VPP	Velocity Prediction Program	1.02

WB	Weight of Boom	9.14.4
WBV	Water Ballast Volume	Appendix 7
WD	Weight Distance, Inclining Weights	8.03
WSS	Wetted Surface, Upright Sailing Trim	6.12
YSD	Mizzen Staysail Depth	10.40
YSF	Mizzen Staysail Foot	10.39
YSMG	Mizzen Staysail Mid Girth	10.4

APPENDIX 1 -- ORR RATING CERTIFICATE



Offshore Racing Rule Certificate



Cert. # US42291 Issued: 11-Feb-2016 Valid: 2016

Certificate Type: **Offshore** Units: US (feet, lbs)

Boat Name: **LUCKY DUCK** Sail Number: **USA-28729** Age Date: **1-Jan-01** Offset File: **US42291A.OFF**

Owner(s): **David MacEwen** US Sailing Membership: **166933Y**

Measurement: **FULL** 1-Jan-2013 Measurer: **HORN**

Most recent change: **0-Jan-1900** Measurer: **HORN**

Rig: **MASTHEAD SLOOP**

Appendage Data

Hull Data

Sail Data		Type:		LOA	
	Area				
mainsail	716.1	Centerboard ECE	0.0	BMAX	14.01
largest jib	942.6	Cant Angle	0.0	DRAFT	8.989
largest symmetric	1962.0	List Angle	0.0	Disp. Meas. Trim:	22701
largest asymmetric	2115.5	Water Ballast	0.0	Capsize Screen (SI)	115.70
spinnaker pole length	22.651				

Rating Based On: **ASYM-POLE Spinnaker** Total Crew Weight: **2795**

General Purpose Rating (GPH)
519.6 sec/mile

Signature of Person in Charge
Signature: _____
A copy of this certificate, signed by the person in charge, shall be carried on board while racing.

Ratings: Time on Time (TCFs)

Closed Course:	1.042
WW 50%, LW 50%:	1.021
WW 60%, LW 40%:	1.025
Ocean Non Spin:	1.042
Offshore Offwind:	1.024

Custom Ratings: Time on Time (TCFs) & Time on Distance (TOD)

Chicago Mac AP:	1.040	Puerto Vallarta:	1.020
Chicago Mac Offwind:	1.024	Cabo San Lucas:	1.017
Baview Mac:	1.032	Acapulco WW/LW:	0.951
Transpac:	0.590	Acapulco Random:	0.972
Pacific Cup:	434.5	Acapulco WW/LW5:	0.952
San Francisco Bay:	1.055	Acapulco StatFit:	0.967

Newport Bermuda Race:

6kt	8kt	10kt	12kt	16kt	20kt	24kt
808.7	620.4	513.6	444.2	371.7	334.5	307.8

Closed Course: rating assumes equal distances at all wind angles (sailing in a circle.)
 General Purpose Rating: Closed Course rating averaged at 8 and 12 knots
 WW 50%, LW 50%: equal number of upwind and downwind legs, all sailing best VMG angles.
 WW 60%, LW 40%: 3 upwind legs, 2 downwind legs, all sailing best VMG angles.
 Ocean Non Spin: Ocean Course mix with no spinnaker.
 Offshore Offwind:
 Wind mixes for specific ratings can be found at

APPENDIX 2 - MEASUREMENT TRIMS CONDITION CHECK LIST & INVENTORY

This check list is intended to help the owner and measurer prepare the yacht for measurement and to document measurement inventory items.

Each item will be initialed by the owner and measurer. The completed document will be returned to the US Offshore Office for retention.

The boat shall be dry, in light ship condition, and fully rigged without crew. The details of paragraphs 5.02.2, 5.02.3, 5.02.4, 5.02.6, 8.01.2 have precedence if discrepancies exist with this list.

No equipment, gear or other items are to be aboard during measurement.

Boat Name: _____ **Sail Number:** _____

	Initials	
	Owner	Measure r
Measurement Trim - Equipment/gear included and required to be aboard (5.02.3):		
1. Internal ballast, if any, securely installed.		
2. Batteries securely installed.		
3. Fixed and/or essentially permanent interior accommodation, hatch covers, floor boards installed.		
4. Fixed and/or essentially permanent machinery, electrical and plumbing systems installed.		
5. Outboard motor when it is stowed aboard in appropriate stowage installed.		
6. Mast, boom, spinnaker pole and/or sprit, if any, fully rigged as for racing. - Masts raked aft to the limit of their adjustment. - Mast (P/PY) band and boom (E/EY) band PAINTED on. - Spinnaker pole not on board if not used for inclining. (8.01.2)		
7. Boom running rigging and any vang, fitted complete as for racing. - Booms secured at the low points of P and PY. - Booms horizontal and on the centerline.		
8. Standing rigging / fittings, fitted complete as for racing, attached in their normal positions.		
9. Running rigging and fittings, fitted complete as for racing. - All halyards as for racing. - Running rigging, halyards, lifts forward of mast taken to mast foot and hauled tight. - Running rigging abaft the mast taken to their aftermost position and hauled tight. - All halyard tails taken to their normal working positions. - If halyard weight varies significantly along its length, the tail shall be on the cabin floor during inclining, with the halyard fully hoisted and attached to a light messenger line.		
10. Rudder, wheel/tiller and steering gear, fitted complete as for racing.		
11. Keel and any bulb, fitted complete as for racing.		
12. Centerboard(s) and drop keels fitted and fully raised. - If locked when racing, it shall be so locked and the locking device shall be in place.		

13. Fixed electronics, instruments, compasses, lights, antennas, masthead devices installed.		
14. Pulpits, stanchions and lifelines fitted.		
15. Hydraulic systems, including hydraulic tanks, full.		
16. Mattresses / cushions (dry) and permanently installed table, doors in their normal position.		
17. Permanently installed stoves, heaters or other electrical devices fitted.		
Measurement Trim - Additional items to be checked:		
1. ALL toilets, bowls, sinks, etc. DRY .		
2. ALL bilges, sumps and other possible areas where liquid may collect DRY .		
3. ALL lockers, drawers, cabinets, refrigerator/freezers, storage areas, shelves, etc. EMPTY .		
Measurement Trim - Equipment/gear excluded (5.02.4):		
1. NO crew or personnel on board..		
2. NO liquid in any tank (except hydraulic systems as above) or in any voids in the keel or any other appendage. - Fuel tank to be as EMPTY as possible (recommended) or FULL .		
3. NO sails, including storm and emergency sails.		
4. NO sheets, guys or other running rigging, except as in 5.02.3.; repeated in 6 - 9 above.		
4. NO blocks, winch handles, etc. or other portable deck, rig or sail handling equipment.		
5. NO portable safety or emergency gear of any type or category, including fire extinguishers, liferaft(s), emergency tiller, etc.		
6. NO decorative throw or sleeping pillows or any other bedding, towels, etc.		
7. NO cooking or eating utensils: pots, pans, plates, glasses, cutlery, etc.		
8. NO compressed gas bottles: propane/LPG. CNG, etc.		
9. NO portable heaters.		
10. NO food or stores.		
11. NO tools, spares or stores.		
12. NO clothing or personal effects.		
13. NO miscellaneous portable equipment or gear, books, navigation tools, etc.		
14. NO anchors, chains or rode, of any type.		
15. NO fenders, dock lines, mooring lines or any other cordage.		
16. NO outboard engines without appropriate stowage.		
17. NO portable fuel containers.		

Measurement Inventory							Initials		
1. Internal Ballast									
	Description				Weight	Dist fm Stem	Ht above WL	Owner	Meas.
a									
b									
c									
d									
e									
f									
2. Batteries									
	Description				Weight	Dist fm Stem	Ht above WL	Owner	Meas.
a									
b									
c									
4. Engine			Manufacturer		Model				
5. Tanks	Use	Type	Capacity	Condition	Dist fm Stem	Ht above WL	Owner	Meas.	
a									
b									
c									
d									
e									
f									
3. Miscellaneous (boiler, air-conditioning, heating etc.)									
	Description				Weight	Dist fm Stem	Ht above WL	Owner	Meas.
a									
b									
c									
d									

Additional Items to be Weighed and Inventoried						Initials		
	Description					Weight	Owner	Meas.
a	Anchor (one only):							
b	Anchor chain and rode:							
c	Tools (max 15 lbs. / 6.8 kg):							
d	Safety equipment:							
	- PFDs							
	- Harnesses							
	- Emergency signaling							
	- Ditch bag							
	- EPIRB							
	- Throwable PFB/MOM/Lifesling							
	- First aid kit (one only)							
	- Fire Extinguishers							

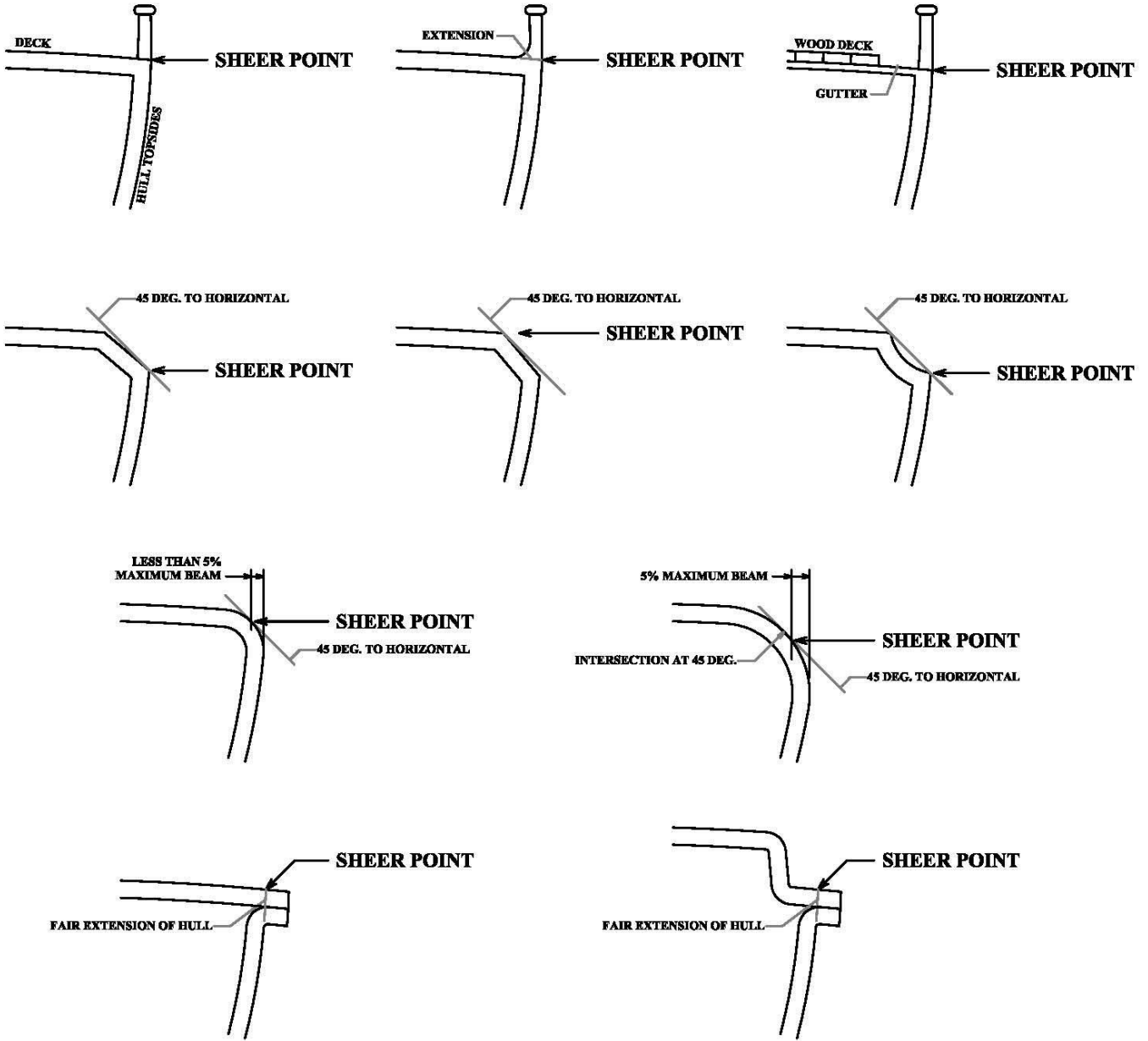
e	Deck equipment:			
	- One set of sheets and guys and any			
	- Running rigging not carried permanently on spars			
	- Winch handles			
	- Deck blocks (max four)			

Signatures:

Owner: _____ **Date:** _____

Measurer: _____ **Date:** _____

APPENDIX 3 -- Various Sheer Points



APPENDIX 4 -- RULES AND PROCEDURES FOR RACE ADMINISTRATION

Unless otherwise prescribed by the Sailing Instructions, the following shall apply to races conducted under the ORR.

1. Pre-race Inspection or Measurement.

When, as a result of any pre-race inspection or measurement, it is determined that a boat does not conform to its ORR certificate:

- a) When the nonconformance is considered to be minor and can be easily corrected, the boat may be brought into conformance with her certificate, or, when necessary, a new certificate may be issued.

The measurer appointed for the series shall report all such corrections to the protest committee.

- b) When the protest committee considers that the nonconformance is major (even if it can be corrected) or that it cannot be corrected without requiring significant remeasurement, they shall act in accordance with RRS.

2. During a Race or Series.

When, as a result of an inspection, measurement, or protest during a race or series, it is determined that a boat does not conform to its certificate, the facts shall be referred to the protest committee which shall act in accordance with the RRS.

- a) When the nonconformance is considered to be minor (whether or not the boat is issued with a new certificate), the original certificate shall be considered valid throughout the race or series.
- b) When the nonconformance is not considered to be minor the boat shall receive a 50% place penalty in any race in which her rating was incorrect.
- c) When a boat's Certificate is withdrawn by a Rating Authority the matter shall be referred to the protest committee which shall act in accordance with the RRS and may disqualify the boat from all races in the series or take such other action as it deems proper.
- d) The results of a race or series shall not be affected by measurement protests lodged after the prize-giving or such other time as the Sailing Instructions shall prescribe. Nothing in this paragraph shall bar action under the RRS concerning a boat deliberately altered.

3. General.

- a) When a boat is checked at an event or as a result of a protest, the measurement shall be checked using the rule as it was in effect at the time of measurement upon which the certificate is based (see 6.03 for hull re-measurement).
- b) The Rating Authority in whose waters the boat is racing would normally be the "authority qualified" referred to in the RRS to resolve questions involving ORR certificates. A protest committee considering a protest involving an ORR certificate may submit questions to the Rating Authority which shall provide all reasonable advice and assistance to resolve the protest. The measurements resulting from a protest re-measurement shall be used to issue any new Certificate.

4. Investigation and Reporting of Rating Irregularities.

- a) When, as a result of an action in a race or series or the withdrawal of a certificate by a Rating Authority, a boat is remeasured and her resulting General Purpose Handicap (GPH) is faster by 0.75% or more, the boat's National Authority shall investigate the circumstances and report its findings to the ORA which may take such further action as it deems proper.
- b) Race and protest committees are asked to report all actions arising under 1(b), 2(b) and 2(c) above to the ORR Chief Measurer. Such reports may be made through the National Authority of the organizing authority.

5. Other Actions.

This Appendix only concerns actions with respect to boats. It does not limit in any way the rights and responsibilities of race and protest committees and of National Authorities to investigate or act with respect to individuals.

APPENDIX 5 -- ADMINISTRATIVE RATING PROTESTS

1. The Offshore Racing Association shall be the Rating Authority referred to in the World Sailing Rules to resolve questions involving ORR Certificates. A protest committee considering a protest involving an ORR certificate may submit questions to that Rating Authority which shall provide all reasonable advice and assistance to resolve the protest.
2. Administrative Protests.
 - a) The administrative protest procedure permits protests involving a boat's certificate without regard to whether the boat was racing. An administrative protest shall be lodged with the Rating Authority in whose water the boat is lying.
 - b) Any person or organization which has a valid interest in a boat's certificate may lodge an administrative protest, provided that:
 - The protest is in writing and is signed and dated by the protestor;
 - The protest includes a detailed description of the alleged defects and a full statement identifying the protestor as having a valid interest;
 - The protest is accompanied by a copy of the certificate of the boat being protested and the address and telephone number of the protested boat's owner;
 - The protest includes a statement of the issues the protestor wishes to have resolved, identification of the applicable rules and any relevant evidence.
 - c) The owner of the protested boat shall file a reply with the Rating Authority as soon as possible. If he elects to concede the protest or refuses to cooperate in providing for re-measurement when required, the Rating Authority shall invalidate the boat's certificate and so advise all concerned; including the local organization within whose jurisdiction the boat normally races.
 - d) The Rating Authority may consult or refer the matter to the ORR Chief Measurer for advice and assistance. It shall make its decision based on the available evidence and may order re-measurement of the boat in whole or in part (see 6.03 for hull re-measurement).
 - e) The decision of the Rating Authority shall determine any measurement and processing costs of deciding the protest and determine which party will pay, as follows:
 - When the correct General Purpose Handicap (GPH) of the protested boat is faster than the protested GPH by not more than 0.25%, the protestor will be responsible for the measurement and processing costs. The filing fee will not be counted toward payment of costs.
 - When the correct GPH is faster than the protested GPH by more than 0.25%, the measurement and processing costs will be borne (or shared) by the owner or the boat's Revalidating Authority depending upon the determination of responsibility for the defect. The filing fee will be returned to the protestor.

3. Redress from Actions of the Rating Authority.
 - a) When an owner believes that his boat's certificate is being withheld unreasonably or that any related actions of the Rating Authority are unreasonable, he may seek redress by following the applicable procedures set out in 2. Administrative Protests above, stating the relevant facts and the relief or redress requested.
 - b) The Rating Authority concerned shall appoint a committee to investigate, hear, and decide on the request following the procedures of the World Sailing Racing Rules. In the event that there is reasonable doubt as to the interpretation or application of the ORR, the ORA Chief Measurer shall be the "authority qualified" to resolve such questions.

APPENDIX 6 -- DYNAMIC & AGE ALLOWANCES

1. Dynamic Allowance (DA)

Dynamic Allowance is an adjustment which may be applied to velocity predictions (i.e., time allowances) to account for relative performance degradation in unsteady states (e.g., while tacking) not otherwise accounted for in the VPP performance prediction model. DA is a percentage credit calculated on the basis of design variables deemed to be relevant in assessing the performance degradation and is applied (or not applied) as explained below. Even where applied, the result of the calculated credit may be zero. Examples of design variables considered appear below.

Where applied, the calculated amount of credit will vary with point of sail and wind velocity and course type. These credits are therefore applied individually to the various time allowances available within the ORR.

Typical design parameters for ORR Dynamic Allowance:

Length: Effective sailing length

Draft: Effective keel draft

SAup: Upwind sail area

SAdn: Downwind sail area

VOL: Volume of displacement (weight of boat divided by density of water)

WA: Wetted area of hull (including appendages)

Draft: Effective keel draft

Typical non-dimensional design factors for ORR Dynamic Allowance:

$SA_{up} / (VOL)^{2/3}$

SA_{up} / WA

$SA_{dn} / (VOL)^{2/3}$

SA_{dn} / WA

$Length / (VOL)^{1/3}$

$Draft / Length$

2. Age Allowance (AA)

ORR gives an Age Allowance credit to older boats in recognition that boat design does advance and boats do get old. This modest credit is applied as a function of how old the design of the boat is. Max credit is reached at 20 years of age. There is no increase in the credit for boats older than that.

The age used for Age Allowance is the earlier of Age Date or Series Date (see 1.05.1 & 1.05.2). The reference year is the current rule year. This allowance is applied to all boats.

ORR recognizes that a change in keel to a more modern design can improve a boat's performance beyond the factors, such as draft, wetted area and stability that are measured and rated. The age date of the keel is recorded and used to adjust the boat speed-predictions.

APPENDIX 7 -- WATER BALLAST & SPECIAL APPENDAGES

A boat holding a valid certificate under this Appendix shall be deemed not to contravene ORR 4.04, Shifting of Ballast with regard to the features rated hereunder. RRS 51 is changed to permit canting the keel and/or shifting of water ballast. RRS 52 is changed to permit other than manual power to be used to cant the keel and/or move the water ballast.

Water ballast can be used to enhance the transverse stability of the boat and/or to change the fore and aft trim. ORR will measure and rate both effects. Canting keels are used to modify the transverse stability. There is currently no provision in ORR to handicap a boat equipped with both canting keel and water ballast used for transverse stability. ORR will, however, handicap a boat equipped with a canting keel and water ballast used for fore and aft trim.

Stability:

Rating Certificates for canting keel and water-ballasted boats display both the Stability Index and also a Ballast-Leeward Recovery Index (BLR Index). The BLR Index is related to a boat's estimated ability to recover from a knockdown to windward where the moveable ballast is on the leeward side. Recommended BLR Index minimum limits and the formula for calculation of the BLR Index is given in ORR 2.02.2, General Limits and Exclusions, Stability.

The stability criteria for moveable ballast boats (water ballast or canting keel) have been set to achieve similar levels of capsize resistance and recovery as conventional boats. However the defining feature of moveable ballast boats is that, with the ballast deployed, they have an angle of list, i.e. a static heel angle that is not upright. Consequently the energy required to heel the boat to 90 degrees (i.e., spreaders in the water) is greater when heeling with the ballast to windward (normal sailing) than it is with the ballast to leeward (caught aback). Owners and crew should be aware of the different characteristics of moveable ballast boats when the ballast is to windward as well as to leeward.

Measurement:

Where the following provisions for water-ballasted boats and special appendages are in conflict with ORR Part 2, General Limits and Exclusions, the provisions below shall take precedence.

1. Water Ballasted Boats

- a) Water ballast tanks shall be symmetrical about the boat's **centerline**.
- b) For measurement afloat (see 5.02), the boat shall first be measured with ballast tanks empty and the full set of flotation and inclining measurements recorded as for conventional boats.
- c) The ballast tank(s) on the starboard side of the boat shall then be filled, pressed up and the resulting angle of list recorded.
- d) The port ballast tank(s) shall then also be filled, pressed up and a full in-water measurement performed as in 1(b) above, except with all ballast tanks full. The full set of in-water measurements shall be recorded as was done for the tanks-empty measurement, except that the corresponding data field names include the suffix "W".
- e) The starboard ballast tank(s) shall then be emptied and the resulting list angle recorded. The port and starboard list angles shall be reported to the Rating Office and where these are not approximately equal, the boat may be deemed not to comply with the provision

above for symmetric ballast tankage. The average of the port and starboard list angles shall be recorded as **LIST** to the nearest tenth of a degree.

- f) The ORR time allowance for each true wind angle and true wind velocity will be given as the faster of a comparison between calculated performance with ballast tankage on only the windward side of the boat full and that with both tanks empty in the respective sailing condition.
- g) **If water ballast tanks alter the fore and aft trim the rating office may require special measurement procedures. Contacting the rating office in advance of measuring is required for water ballasted boats.** . The ORR time allowances will be adjusted to reflect the performance benefits of variable trim.

2. Canting Keel Boats

- a) A canting keel may pivot laterally only about a longitudinal axis aligned with the centerline of the boat and no other movement is permitted. The maximum cant angles, port and starboard respectively, shall be symmetric.
- b) For measurement afloat (see 5.02), the boat shall first be measured with the keel on centerline and the full set of flotation and inclining measurements recorded as for conventional boats.
- c) The keel shall then be canted fully to starboard. The resulting list angle shall be recorded and the angle of the keel relative to the boat's centerplane also recorded. These measurements shall be repeated and recorded with the keel canted fully to port.
- d) The port and starboard list angles shall be reported to the Rating Office and where these are not approximately equal; the boat may be deemed not to comply with the provision above for symmetric cant angles. The average of the port and starboard list angles shall be recorded as LIST to the nearest tenth of a degree. The average of the port and starboard cant angles shall be recorded as CANT to the nearest tenth of a degree.
- e) The ORR time allowance for each true wind angle and true wind velocity will be given as the faster of a comparison between calculated performance with the keel fully canted to the windward side of the boat and that with the keel centered in the respective sailing condition.

3. Bilge Boards

Bilge boards with motion only up and down in a straight line are permitted, subject to the restriction of angular motion as provided for centerboards under 2.03.8. The location and vertical extension of bilge boards shall be taken as part of the machine hull measurement procedure (see Part VI) and their draft determined from the Hull Offset File (see 6.02) at various angles of heel.

4. Trim Tabs

A movable trim tab is permitted. The fitting of such a trim tab shall be recorded. The effect on performance of a moveable trim tab will be calculated to reflect a reduction in leeway angle.

APPENDIX 8 – Rule changes

<u>Year</u>	<u>Rule changes and/or additions</u>
2012	1.03.2 and 8.12 Added Inshore certificates
2012	1.05.3 added Keel Date
2012	2.02.1 Stability Index/Capsize Screen. Removed lower limit on CI term
2012	4.08 Tankage. Added tankage with 15% LOA of the stern must be declared "empty when racing" for non-moveable ballast boats
2012	10.13.6 Non-overlapping jib mid-girth excess limited to 12% of respective base
2012	10.45.5 Minimum spinnaker area defined
2014	10.42.6 ISP: ISP shall not be taken as less than IG. (added)
2015	5.02.3 Boats shall be dry in light ship condition without crew and shall include the following :...(language change)
2016	4.01 Bloopers (change added)
2016	5.02.4 specifically excluded from Measurement Trim is the Following: (language change)
2016	Appendix 1 new certificate example added
2016	Appendix 2 changed and new format added
2016	Appendix 8 added
2016	Added better definition of dagger board shape
2016	Formatting index numbers reformatted
2016	Storm Sail amended to add "World Sailing" in 10.02.1, 10.07 (c) definition added, 10.16.7 deleted
2016	Mainsail girths language updated
2016	Changed 10.02.1 language added to allow small jibs to be set free flying.
2016	Changed 1.03 from "Double Handed" to "Shorthanded" Certificate